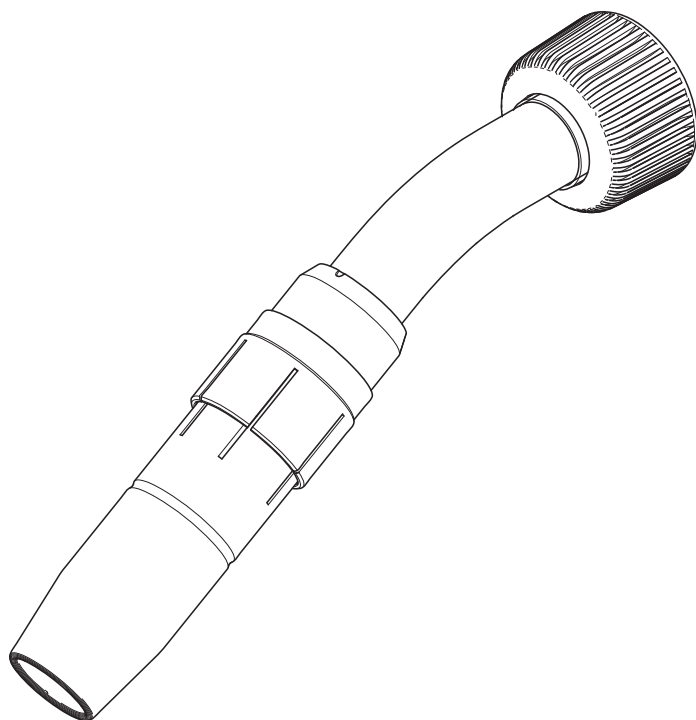
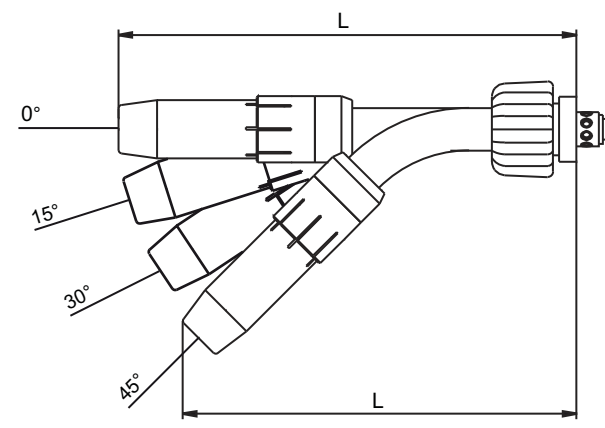


AL 4000 / AW 5000

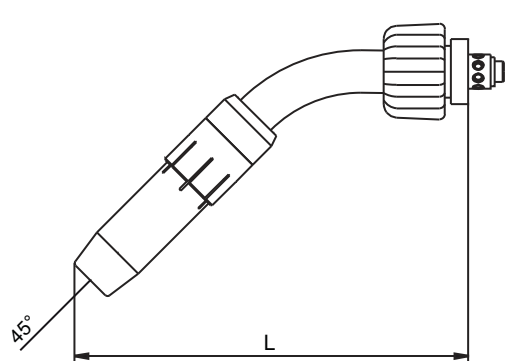


- (D) Ersatzteilliste
MIG/MAG-Multilock-Rohrbo-
gen
- (GB) Spare Parts List
MIG/MAG ML torch body
- (F) Liste de pièces de rechange
Corps de chalumeau Multilock
MIG/MAG
- (I) Lista parti di ricambio
Curva Multilock MIG/MAG
- (E) Lista de repuestos
Codo de tubo MIG/MAG-
Multilock
- (P) Lista de peças sobresselentes
Corpo do queimador de solda-
dura ML MIG/MAG

Tab. 1

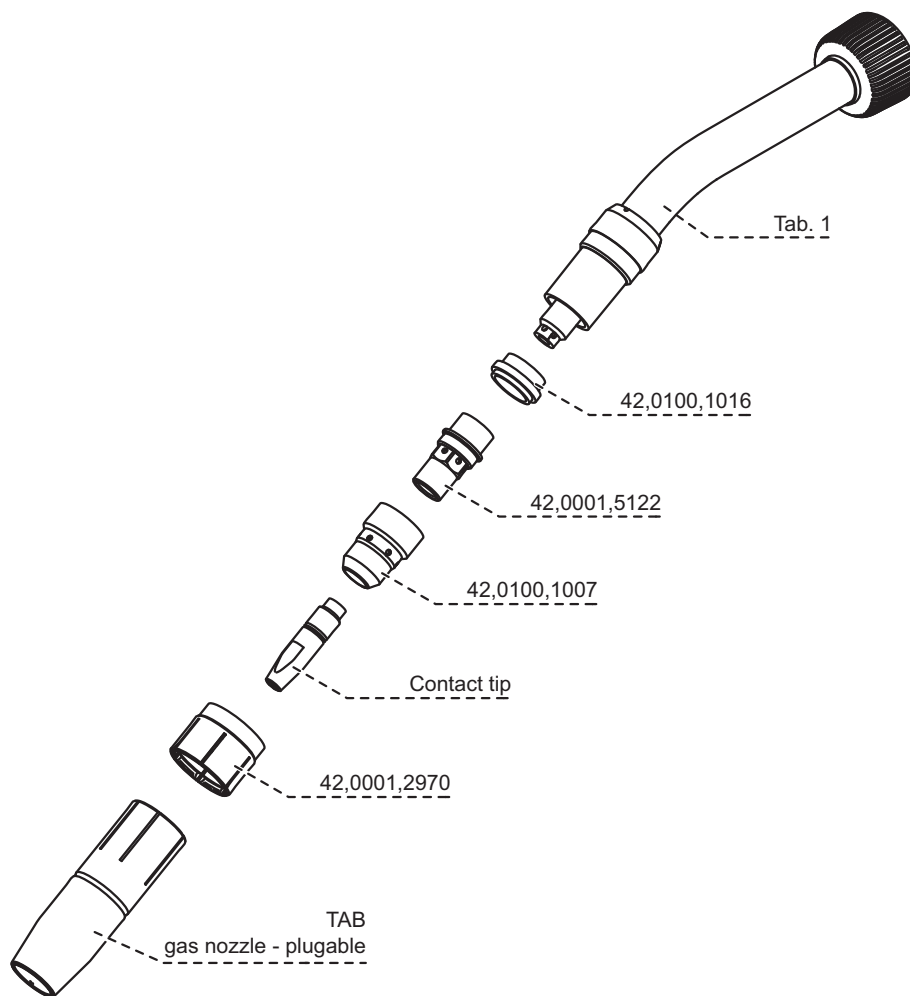
AL 4000 / AW 5000	Type	Degree	L		Part No.
			mm	inch	
	AL 4000 AW 5000	0°	178,5	7,027	34,0350,1856
		15°	177	6,968	34,0350,1857
		30°	168	6,614	34,0350,1858
		45°	145,5	5,728	34,0350,1859
	+100	0°	278,5	10,964	44,0350,2670
		15°	277	10,903	44,0350,2671
		30°	268	10,549	44,0350,2672
		45°	245,5	9,664	44,0350,2673
	+200	0°	378,5	14,899	44,0350,2675
		15°	377	14,84	44,0350,2676
		30°	368	14,486	44,0350,2677
		45°	345,5	13,600	44,0350,2678
	+400	0°	578,5	22,772	44,0350,2680
		15°	577	22,713	44,0350,2681
		30°	568	22,359	44,0350,2682
		45°	545,5	21,473	44,0350,2683

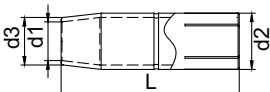
Tab. 2

AW 5000 OZ (Without Forced Contacting Arrangement)	Type	Degree	L		Part No.
			mm	inch	
	AW 5000 OZ	45°	145,5	5,728	44,0350,2482



AL 4000 / AW 5000



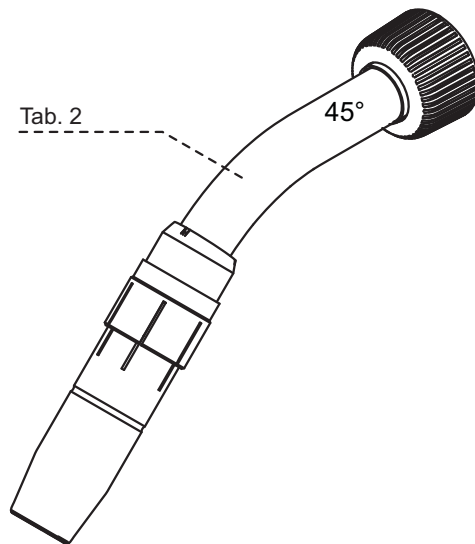
TAB. gas nozzle plugable	d1		d2		d3		L			Part No.
	mm	inch	mm	inch	mm	inch	mm	inch		
	15	.591	25	.984	18	.709	79	3.110	Fe, CuSi AlMg, AlSi	42,0001,5129
	17	.669	25	.984	20	.787	79	3.110	Fe, CuSi AlMg, AlSi	42,0001,5128 x)
	17	.669	25	.984	21	.827	79	3.110	Fe, CuSi AlMg, AlSi	42,0001,5130
	20	.787	25	.984	24	.945	79	3.110	Fe, CuSi AlMg, AlSi	42,0001,5127
	17,2	.677	25	.984	21,1	.831	85	3.346	Fe, CuSi AlMg, AlSi	42,0001,5155 TIME
	17	.669	25	.984	21	.827	74,5	2,993	CrNi	42,0001,5607



AL 4000 / AW 5000

Ersatzteilliste / Spare parts list / Listes de pièces de rechange / Lista de repuestos / Lista de peças sobresselentes / Lista dei Ricambi

AW 5000 OZ (Without Forced Contacting Arrangement)



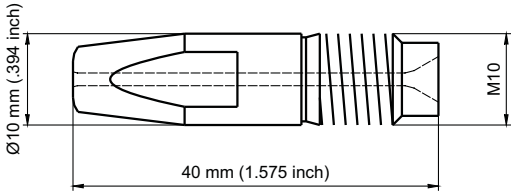
AL 4000 / AW 5000

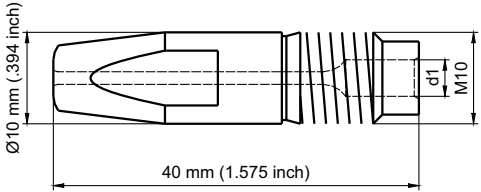
Ersatzteilliste / Spare parts list / Listes de pièces de rechange / Lista de repuestos / Lista de peças sobresselentes / Lista dei Ricambi

3/3

4204150315_01

012008

M10 / CuCrZr / L=40 mm (1,575 inch)	Fe CrNi		Part No.
	Ø mm	Ø inch	
	0,8	.031	42,0001,1576
	0,9	.035	42,0001,3277
	1,0	.039	42,0001,1577
	1,2	.047	42,0001,1578
	1,4	.055	42,0001,1930
	1,6	.063	42,0001,1579
	1,8	.071	42,0001,2314
	2,0	.079	42,0001,1662
	2,4	.094	42,0001,1663
	2,8	.110	42,0001,1664
	3,2	.126	42,0001,5413

M10 / CuCrZr / L=40 mm (1,575 inch)	Al CuSi		d1		Part No.
	Ø mm	Ø inch	Ø mm	Ø inch	
	0,9	.035	4,8	.189	42,0001,5405
	1,0	.039	4,1	.161	42,0001,5057
	1,0	.039	4,8	.189	42,0001,5289
	1,2	.047	4,1	.161	42,0001,5058
	1,2	.047	4,6	.181	42,0001,5005
	1,4	.055	4,1	.161	42,0001,5059
	1,6	.063	4,8	.189	42,0001,5060
	1,8	.071	4,8	.189	42,0001,5061



Contact tip M10

Ersatzteilliste / Spare parts list / Listes de pièces de rechange / Lista de repuestos / Lista de peças sobresselentes / Lista dei Ricambi