

KULUOSADE KIOSK

MIG/MAG-KEEVITUS



TIG-KEEVITUS



PLASMALÕIKUS



SPETSELEKTROODI AS

*Tööstustooted
proffidele!*

FRONIUS



TRANSLAS



SPETSELEKTROODI AS

*Tööstustooted
proffidele!*

MIG/MAG-KEEVITUS - FRONIUS

MTG 250i / MTB 250i G ML



MTG 320i / MTB 320i G ML



MTG 400i / MTB 400i G ML



MTG 2100S



MTW 250i / MTB 250i W ML



MTB 330i W ML / MTB 200i G ML Flex



MTW 400i W



MTW 500i / MTW 500i W ML



MTW 700i W ML / MTB 700i W ML



TPSi PullMig



TPSi / TransSteel rullikud



AL2300 / AW2500



AL3000 / AW4000



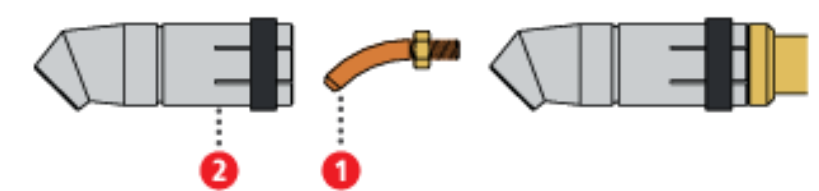
AL4000 / AW5000



AW7000 / AW7000 TIME



AW335



Robacta 300



Robacta 5000





8XM Type 15



8XM Type 24



8XM Type 25



8XM Type 36



8XM Type 450



8XM Type 510





TIG-KEEVITUS



Fronius TTB 160A G / TTB 300A W



Fronius TTB 220A G / TTB 400A W



Fronius TTB 160P G / TTB 300P W



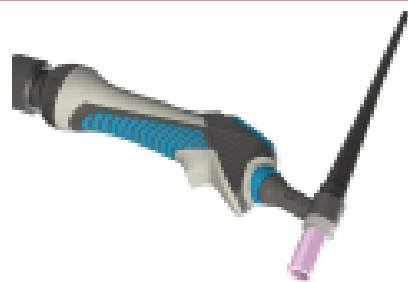
Fronius TTB 220P G / TTB 300P W



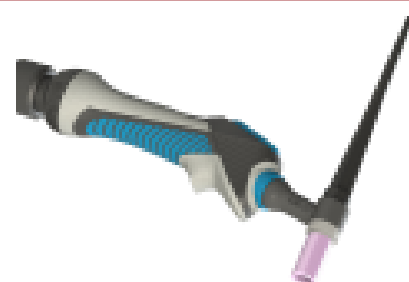
TTB 160P / TTB 300P TFC



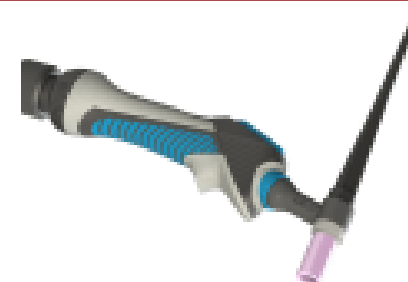
Translas TIG 8XT Type 9



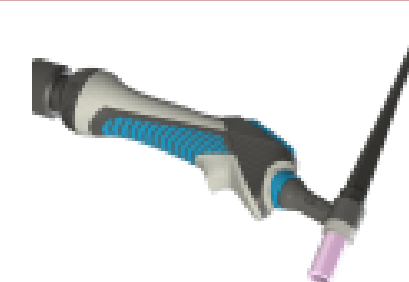
Translas TIG 8XT Type 17



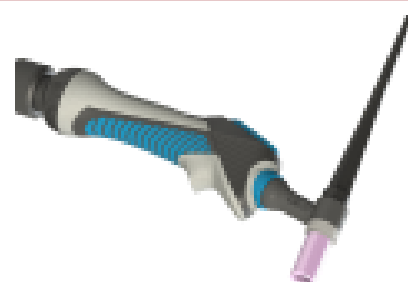
Translas TIG 8XT Type 20



Translas TIG 8XT Type 24



Translas TIG 8XT Type 26





PLASMALÖIKUS



PMX 30 AIR



PMX 45XP



PMX 65/85/105



PMX 125



PMX 1000/1250/1650



HPR260XD





AIR T30 consumables

Deflector

Retaining cap

Nozzle

Swirl ring

Electrode

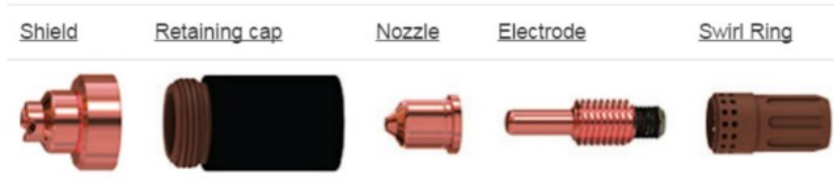


Look for the green package.

Consumable type	Torch type	Amperage	Deflector	Retaining cap	Nozzle	Swirl ring	Electrode
Standard	Hand	30	420399	420135	420134 *	420133	420132 *



Käsilõike kuluosad



Nr	Kood	Nimi
1	220842	Duramax elektrood 10-105 A
	228757	Duramax elektrood 10-105 A (25 tk)
2	220777	Duramax elektrood 15-105 A CopperPlus
	228934	Duramax elektrood 15-105 A CopperPlus (25 tk)
3	220941	Duramax düüs 45A
	228765	Duramax düüs 45A (25 tk)
4	220819	Duramax düüs 65A
	228759	Duramax düüs 65A (25 tk)
5	220816	Duramax düüs 85A
	228760	Duramax düüs 85A (25 tk)
6	220990	Duramax düüs 105A
	228797	Duramax düüs 105A (25 tk)
7	220857	Pöörirõngas
8	220818	Kontaktlõike kilp 15-85A
	228764	Kontaktlõike kilp 15-85A (25 tk)
9	220992	Kontaktlõike kilp 30-105A
	228798	Kontaktlõike kilp 30-105A (25 tk)
10	220854	Kinnituskorpus

HyAccess kuluosad



Nr	Kood	Nimi
1	420408	Flush
2	420410	Duramax düüs/ kilp HyAccess lõikus 30 - 65 A
	420412	Düüs/ kilp HyAccess faasimine 30 - 65 A
3	220857	Pöörirõngas
4	420413	Kinnituskorpus

FlushCut kuluosad



Nr	Kood	Nimi
1	220842	Duramax elektrood 85-105 A
	420635	Duramax elektrood 30-45 A
2	420533	Duramax düüs / kilp 85 - 105 A
	420633	Duramax düüs / kilp 30 - 45 A
3	420539	Pöörirõngas Flushcut 85 - 105 A
	420634	Pöörirõngas Flushcut 30 - 45 A
4	420540	Kinnitusrõngas
5	420536	Kinnituskorpus

Pindlõikuse(faasimise) kuluosad



Nr	Kood	Nimi
1	220842	Duramax elektrood 10-105 A
2	220797	Duramax düüs 85- 105 A
	220991	Duramax düüs 85- 105 A
3	220857	Pöörirõngas 45 - 85 A
	220994	Pöörirõngas 85 - 105 A
4	220798	Kilp 85 - 105 A max removal
	420480	Kilp 45 - 105 A max control
5	220854	Kinnituskorpus

Mehhaniseeritud lõikuse kuluosad

Nr	Kood	Nimi
1	220842	Duramax elektrood 10-105 A
	220777	Duramax elektrood CopperPlus longlife
2	220990	Duramax düüs 85 - 105 A
	220816	Duramax düüs 65 - 85 A
	220819	Duramax düüs 45 - 65 A
	220941	Duramax düüs 30 - 45 A
	220930	Duramax düüs 30 - 45 A FineCut
3	220994	Pöörirõngas 85 - 105 A
	220857	Pöörirõngas 30 - 85 A
	220947	Pöörirõngas 30 - 45 A FineCut
4	220993	Kilp 85-105A
	220817	Kilp 30-85A
	220995	Katteta kilp 30 - 105 A
	220948	Kilp 30 - 45 A FineCut
5	220854	Kinnituskorpus
	220953	Kinnituskorpus Ohmic

Finecut kuluosad

Nr	Kood	Nimi
1	220842	Duramax elektrood 10-105 A
	228757	Duramax elektrood 10-105 A (25 tk)
2	220930	Duramax düüs 30 - 45 A
	228761	Duramax düüs 30 - 45 A (25 tk)
3	220847	Pöörirõngas Finecut
4	220931	Kontaktlõike kilp 30-45A
5	220854	Kinnituskorpus



Consumables



Look for the purple package.

Consumable type	torch type	Amperage	Shield/Deflector	Retaining cap	Nozzle	Swirl ring	Electrode
Drag-cutting	Hand	45	420172	220977	420158	220997	220971
		65	420172		420169		
		125	420000		220975		
Mechanized	Machine	45	420168	220977 or 420156 *	420158	220997	220971
		65	420168		420169		
		125/105	220976		220975		
FineCut®	Hand	45	420152	220977 or 420156 *	420151	420159	220971
	Machine					220997	
Max removal gouging ¹	Hand	30-125	420112	220977	420001	220997	220971
Max control gouging ²	Machine		420509				

* Ohmic retaining cap

¹ Designed for aggressive metal removal, achieving deep gouge profiles and extreme metal washing applications.

² Designed for more precise metal removal, achieving a shallow gouge profile and light washing applications

FlushCut Consumables



Consumable type	Torch type	Amperage	Retaining ring	Nozzle / shield assembly	Retaining cap	Electrode	Swirl ring
FlushCut™	Hand / Machine*	125	420485	420489	420490	420553	420484

Consumables

Consumable type	Torch type	Amperage	Nozzle	Shield/ Deflector	Retaining cap	Electrode	Swirl ring
Drag-cutting	Hand	40	120932 Buy Now	120929 Buy Now	120928 Buy Now	120926 Buy Now	120925 Buy Now
		60	120931 Buy Now				
		80	120927 Buy Now				
		100	220011 Buy Now	220065 Buy Now	220048 Buy Now	220037 Buy Now	220051 Buy Now
Mechanized	Machine	40	120932 Buy Now	120930 Buy Now	120928 Buy Now or 220061 (Ohmic) Buy Now	120926 Buy Now	120925 Buy Now
		60	120931 Buy Now				
		80	120927 Buy Now				
		100	220011 Buy Now	220047 Buy Now	220048 Buy Now or 220206 (Ohmic) Buy Now	220037 Buy Now	220051 Buy Now
Unshielded	Machine	40	220006 Buy Now	120979 Buy Now	120928 Buy Now or 220061 (Ohmic) Buy Now	120926 Buy Now	120925 Buy Now
		60	220007 Buy Now				
		80	120980 Buy Now				
		100	220064 Buy Now	120979 Buy Now	220048 Buy Now or 220206 (Ohmic) Buy Now	220037 Buy Now	220051 Buy Now
FineCut	Hand	30-50	220329 Buy Now	220325 Buy Now	120928 Buy Now or 220061 (Ohmic) Buy Now	120926 Buy Now	220327 Buy Now
	Machine	30-50		120979 Buy Now			120925 Buy Now



Mild steel

Your consumables may not look exactly like the pictures.
For more information on the SilverPlus electrode [click here](#).



Amperage	Shield cap	Shield	Nozzle retaining cap	Nozzle	Swirl ring	Electrode	SilverPlus electrode	Water tube
30 A	220747	220194	220754	220193	220180	220192	_____	220340
50 A	220747	220555	220754	220554	220553	220552	_____	220340
80 A	220747	220189	220756	220188	220179	220187	_____	220340
130 A	220747	220183	220756	220182	220179	220181	220665	220340
200 A	220637	220761	220757	220354	220353	220352	220666	220340
260 A	220637	220764	220760	220439	220436	220435	220668	220340
80 A bevel	220637	220742	220845	220806	220179	220802	_____	220700
130 A bevel	220637	220742	220740	220646	220179	220649	_____	220700
200 A bevel	220637	220658	220845	220659	220353	220662	_____	220700
260 A bevel	220637	220741	220740	220542	220436	220541	_____	220571
* 260 A bevel	220637	220897	220896	220898	220436	220899	_____	220571

*Recommended for use if you have excessive slag, or the torch is misfiring, when using standard consumables.

Stainless steel

Your consumables may not look exactly like the pictures.

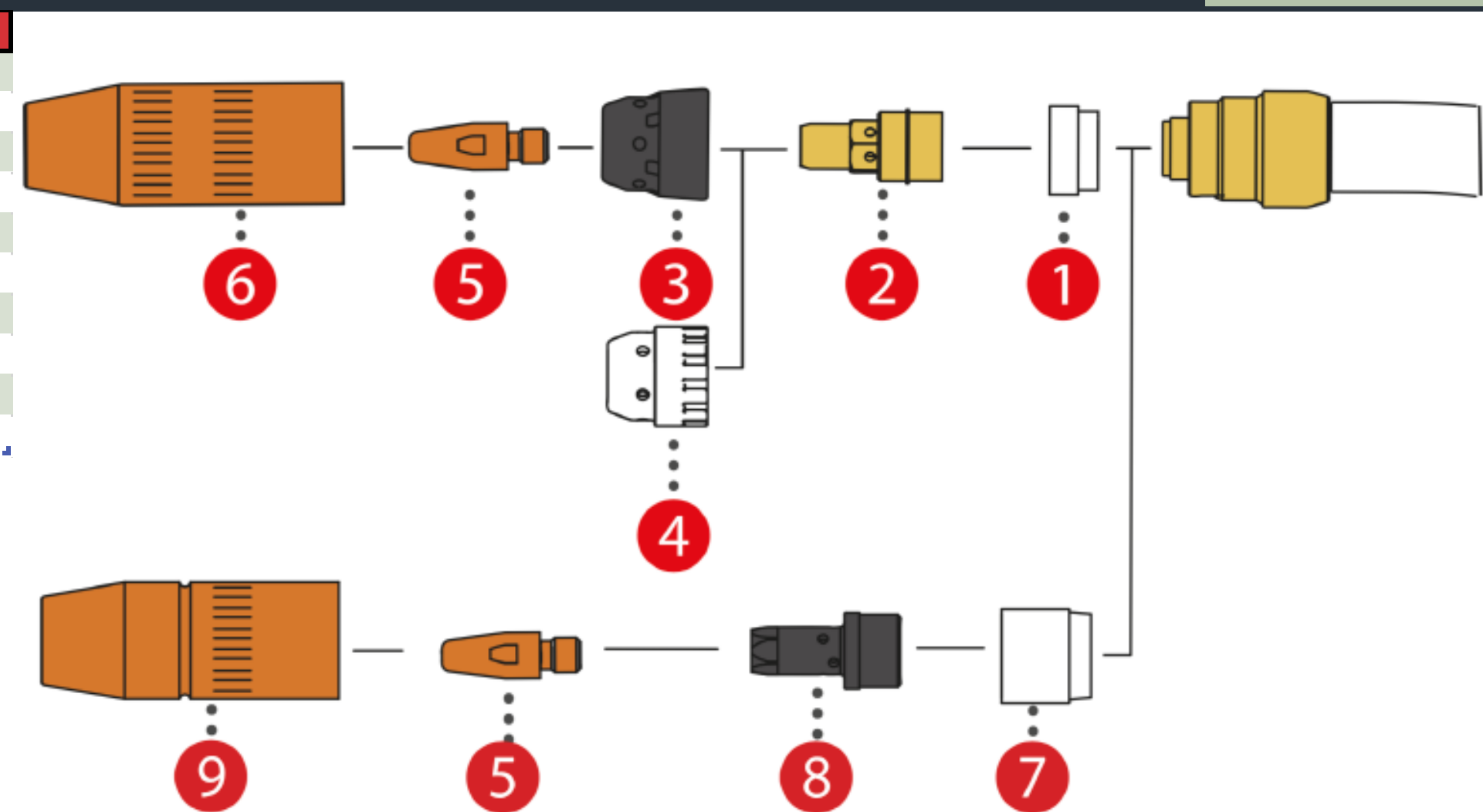


Amperage	Shield cap	Shield	Nozzle retaining cap	Nozzle	Swirl ring	Electrode	SilverPlus	Water tube
45 A	220747	220202	220755	220201	220180	220308		220340
60 A HDI	220747	220815	220814	220847	220180	220339		220340
80 A	220747	220338	220755	220337	220179	220339		220340
130 A	220747	220198	220755 (H35)	220197	220179	220307		220340
			220756 (N ₂)					
200 A	220637	220762	220758	220343	220342	220307		220340
260 A	220637	220763	220758	220406	220405	220307		220340
130 A bevel	220637	220738	220739	220656	220179	220606		220571
260 A bevel	220637	220738	220739	220607	220405	220606		220571

MTW 250I / MTB 250I W MULTILOCK



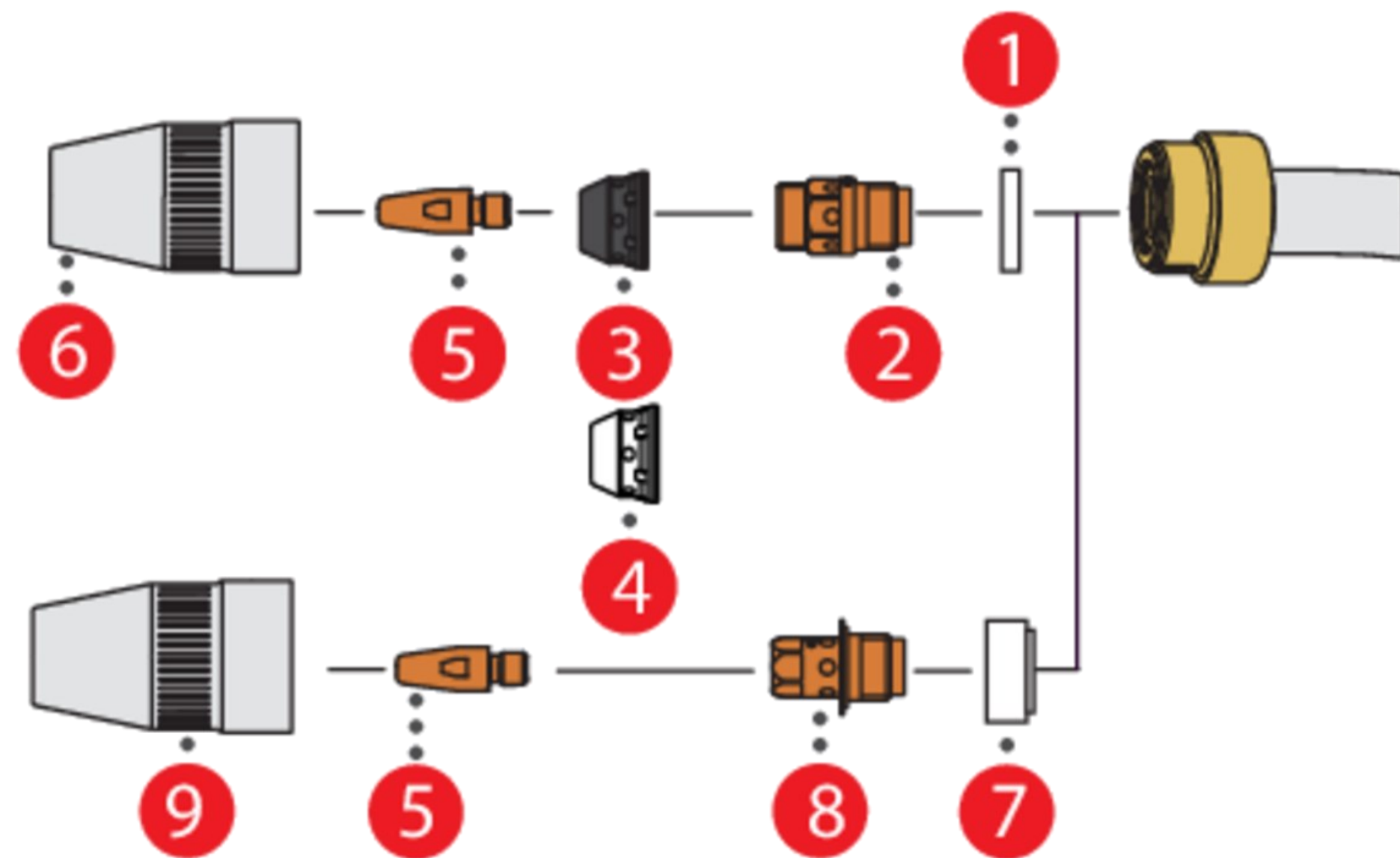
Nr	Spets kood	Kood	Nimi
1	FR4201001320	42,0100,1320,5	MTW250i Isoleerrõngas $\varnothing 17,8 / 14 \times 10,8$ (5 ^{***})
2	FR4200013999	42,0001,3999,5	MTW250i Vooludüüsi hoidja M6 /SW10x28,5 (5 ^{***})
3	FR4201000552	42,0100,0552,5	MTW250i pritsmekaitse (5 ^{***})
4	FR4201000531	42,0100,0531,5	MTW250i pritsmekaitse HD (5 ^{***})
5	FR420001446110	42,0001,4461,10	Vooludüüs TPSi M6*0,8 10 tükki
5	FR420001446210	42,0001,4462,10	Vooludüüs TPSi M6*0,9 10 tükki
5	FR420001446310	42,0001,4463,10	Vooludüüs TPSi M6*1,0 10 tükki
5	FR420001446410	42,0001,4464,10	Vooludüüs TPSi M6*1,2 10 tükki
5	FR420001446510	42,0001,4465,10	Vooludüüs TPSi M6*1,4 10 tükki
5	FR420001446610	42,0001,4466,10	Vooludüüs TPSi M6*1,6 10 tükki



MTB 330i W ML / MTB 200i G MULTILOCK FLEX



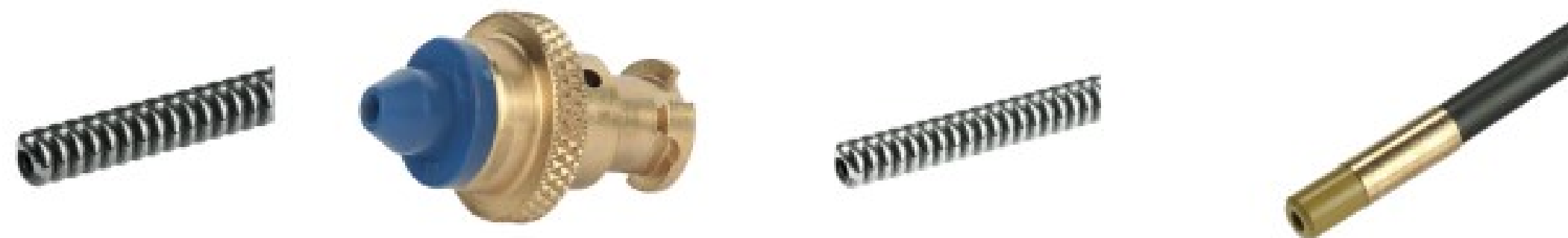
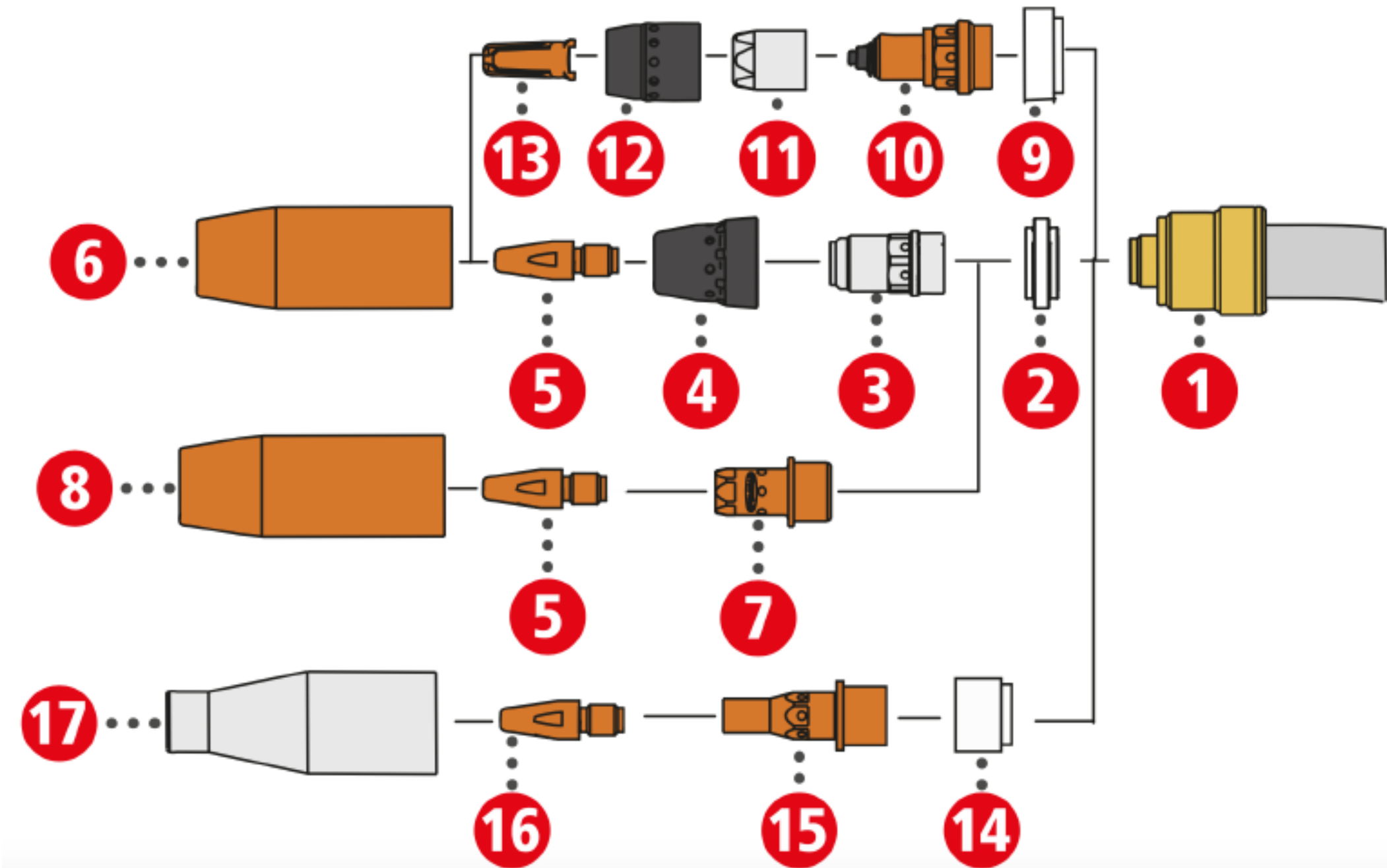
Nr	Spets kood	Kood	Nimi
1	FR4201001407	42,0100,1407,5	MTB330i isolaator ø18,2/ø10,2x2,9 (5 ^{***})
2	FR4200014479	42,0001,4479,5	MTB330i vooludüüsi hoidja M6 (5 ^{***})
3	FR42010005835	42,0100,0583,5	Pritsmekaitse MTB330i/220i ø8,3 / ø18x12,5 (5tk)
5	FR420001446110	42,0001,4461,10	Vooludüüs TPSi M6*0,8 10 tükki
5	FR420001446210	42,0001,4462,10	Vooludüüs TPSi M6*0,9 10 tükki
5	FR420001446310	42,0001,4463,10	Vooludüüs TPSi M6*1,0 10 tükki
5	FR420001446410	42,0001,4464,10	Vooludüüs TPSi M6*1,2 10 tükki
5	FR420001446510	42,0001,4465,10	Vooludüüs TPSi M6*1,4 10 tükki
5	FR420001446610	42,0001,4466,10	Vooludüüs TPSi M6*1,6 10 tükki
6	FR42000144875	42,0001,4487,5	Gaasidüüs MTB330i/200i ø13/ø25x41 CT/H (5tk)
9	FR4201001408	42,0100,1408	Insul.sleeve Ø10.2/Ø20.4x7.9
10	FR4200014480	42,0001,4480	Nozzle fitting M6/SW8x20
11	FR4200014486	42,0001,4486	Gaasidüüs MTB330i ø13/ø24x41 CT/H



MTW 400i / MTB 400i W ML



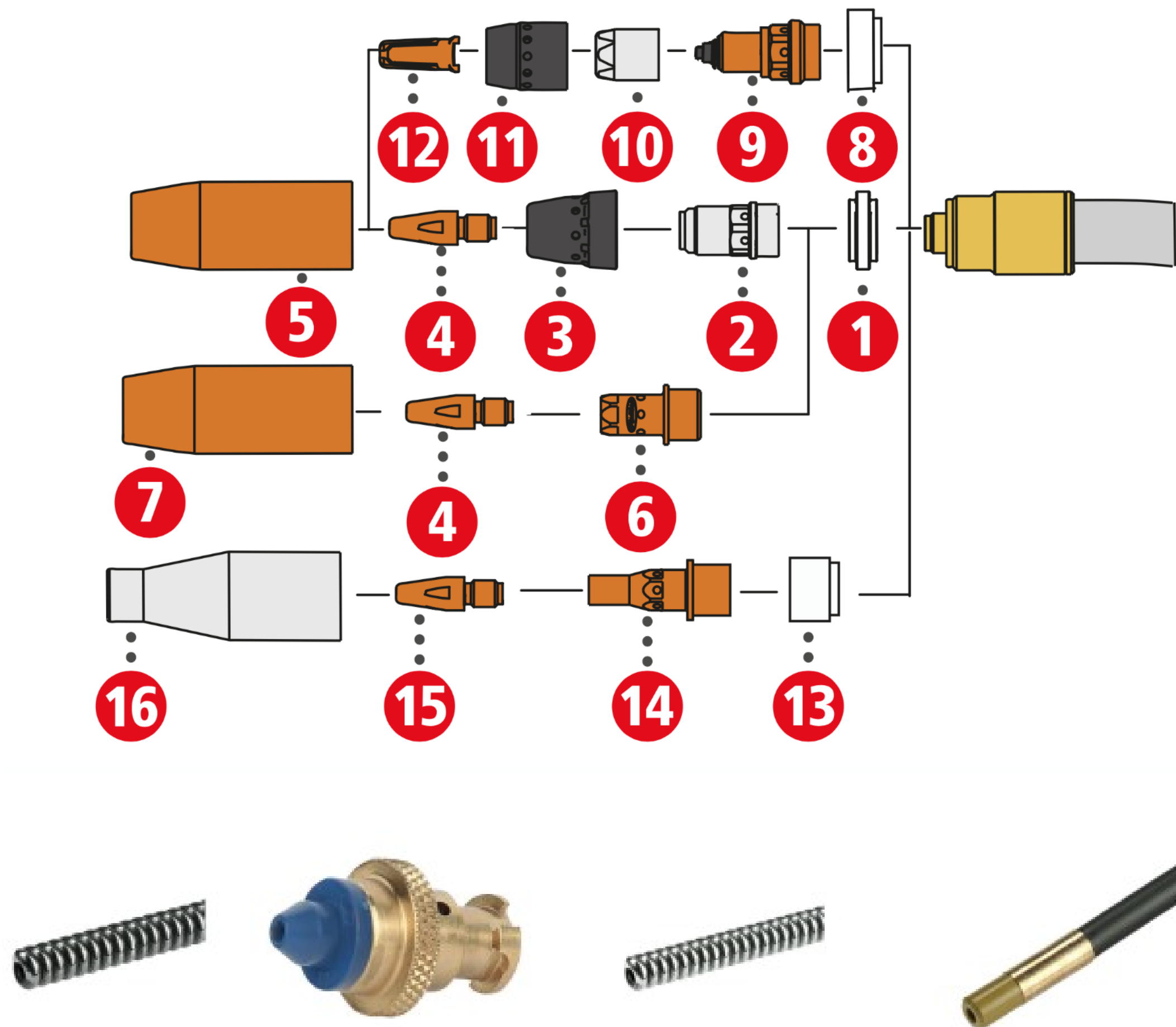
Nr	Spets kood	Kood	Nimi
1	FR4403503273	44,0350,3273	Gaasisuunaja kinnitus W MTB 400i
2	FR4201001329	42,0100,1329*	MTW400i/MTW500i *** isoleerrõngas 1 tk (5***)
3	FR4200014037	42,0001,4037*	MTW400i/MTW500i vooludüüsi hoidja M8*1,5 1 tk (5***)
4	FR4204050854	42,0405,0854*	MTW400i/MTW500i pritsmekaitse 1 tk (5***)
5	FR420001646410	42,0001,6464,10	Vooludüüs M8*0,8 TPSi 10 tükki
5	FR420001646610	42,0001,6466,10	Vooludüüs M8*1,0 TPSi 10 tükki
5	FR420001646710	42,0001,6467,10	Vooludüüs M8*1,2 TPSi 10 tükki
5	FR420001646810	42,0001,6468,10	Vooludüüs M8*1,4 TPSi 10 tükki
5	FR420001646910	42,0001,6469,10	Vooludüüs M8*1,6 TPSi 10 tükki
6	FR4200014051	42,0001,4051*	MTW400/500i gaasidüüs diam 15 mm 1 tk (5***)
6	FR4200014474	42,0001,4474	Gas nozzle ø15/ø25x61 CT
6	FR4200014476	42,0001,4476,5	MTW500i R Gaasidüüs ø17/ø25x61 CT (5***)
6	FR4200014050	42,0001,4050,5	MTW400/500i gaasidüüs diam 17 L63 (5***)
6	FR4200014080	42,0001,4080,5	MTW400i gaasidüüs diam 13 1 tk (5***)
6	FR4200014476	42,0001,4476,5	MTW500i R Gaasidüüs ø17/ø25x61 CT (5***)
6	FR4200014054	42,0001,4054	MTW500i gaasidüüs silindiline diam21 L63
7	FR4200014651	42,0001,4651	MTW500i vooludüüsi hoidja Sleeve System
8	FR4403503935	44,0350,3935	Gas nozzle Ø15/Ø25x61 CT/H M23x2
8	FR4403503936	44,0350,3936	MTW500i gaasidüüs diam 17 Sleeve System
9	FR4201001371	42,0100,1371	Insulation ring ø20,8 / ø14x8,5
10	FR4403503426	44,0350,3426	Nozzle stock Contec MD MTW500i L=31,4
11	FR4200016336	42,0001,6336	Contec lukustusmutter
12	FR4201001156	42,0100,1156	Spatter guard ø14,5 / ø18x21,3
13	FR420001391210	42,0001,3912,10	Contec düüs 10tk
14	FR4201001497	42,0100,1497	MTW400i isolaator narrow
15	FR4200014919	42,0001,4919	MTW400i vooludüüsihoidja narrow M6
16	FR420001446110	42,0001,4461,10	Vooludüüs TPSi M6*0,8 10 tükki
16	FR420001446210	42,0001,4462,10	Vooludüüs TPSi M6*0,9 10 tükki
16	FR420001446310	42,0001,4463,10	Vooludüüs TPSi M6*1,0 10 tükki
16	FR420001446410	42,0001,4464,10	Vooludüüs TPSi M6*1,2 10 tükki
16	FR420001446510	42,0001,4465,10	Vooludüüs TPSi M6*1,4 10 tükki
16	FR420001446610	42,0001,4466,10	Vooludüüs TPSi M6*1,6 10 tükki
17	FR4200014917	42,0001,4917	MTW400i gaasidüüs narrow diam 13
18	FR4000020040005	40,0002,0040,005	TPSi spiraalkõri (MTW500i) 0,8 5m
18	FR4000020041005	40,0002,0041,005	TPSi spiraalkõri (MTW250/400/500i) 1,0 5m
18	FR4000020042005	40,0002,0042,005	TPSi spiraalkõri (MTW250/400/500i) 1,2 5m
18	FR4000020043005	40,0002,0043,005	TPSi spiraalkõri (MTW500i) 1,6 5m
19	FR4403503315	44,0350,3315	Kõri lukustusdetail hall 0,8 TPSi
19	FR4403503317	44,0350,3317	Kõri lukustusdetail sinine 1,0 TPSi
19	FR4403503318	44,0350,3318	Kõri lukustusdetail punane 1,2 TPSi
19	FR4403503320	44,0350,3320	Kõri lukustusdetail must 1,6 TPSi
20	FR4000020053005	40,0002,0053,005	Söödukõri C Extra slip diam 1,0 5m
20	FR4000020054005	40,0002,0054,005	Söödukõri C Extra slip diam 1,2 5m
20	FR4000020055005	40,0002,0055,005	Söödukõri C Extra slip diam 1,6 5m
21	FR4403503397	44,0350,3397	TPSi Combi kõri + teflon 1,0/ 4,8 m W Standard
21	FR4403503398	44,0350,3398	TPSi Combi kõri + teflon 1,2/ 4,8 m W Standard
21	FR4403503399	44,0350,3399	TPSi Combi kõri + teflon 1,6/ 4,8 m W



MTW 500i / MTB 500i W ML



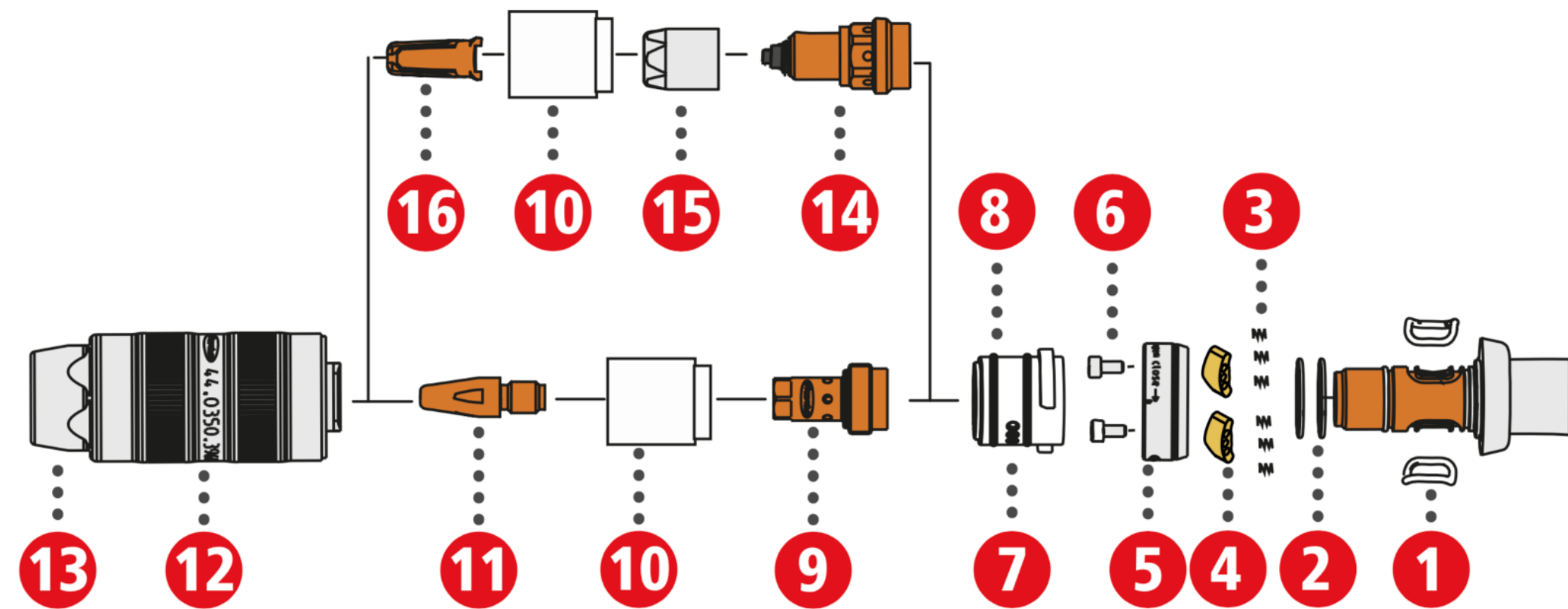
Nr	Spets kood	Kood	Nimi
1	FR4201001329	42,0100,1329,5	MTW400i/MTW500i *** isoleerrõngas 1 tk (5***)
2	FR4200014037	42,0001,4037,5	MTW400i/MTW500i vooludüüsi hoidja M8*1,5 1 tk (5***)
3	FR4204050854	42,0405,0854,5	MTW400i/MTW500i pritsmekaitse 1 tk (5***)
4	FR420001646410	42,0001,6464,10	Vooludüüs M8*0,8 TPSi 10 tükki
4	FR420001646610	42,0001,6466,10	Vooludüüs M8*1,0 TPSi 10 tükki
4	FR420001646710	42,0001,6467,10	Vooludüüs M8*1,2 TPSi 10 tükki
4	FR420001646810	42,0001,6468,10	Vooludüüs M8*1,4 TPSi 10 tükki
4	FR420001646910	42,0001,6469,10	Vooludüüs M8*1,6 TPSi 10 tükki
5	FR4200014051	42,0001,4051,5	MTW400/500i gaasidüüs diam 15 mm 1 tk (5***)
5	FR4200014050	42,0001,4050,5	MTW400/500i gaasidüüs diam 17 L63 (5***)
5	FR4200014476	42,0001,4476,5	MTW500i R Gaasidüüs ø17/ø25x61 CT (5***)
6	FR4200014651	42,0001,4651	MTW500i vooludüüsi hoidja Sleeve System
7	FR4403503936	44,0350,3936	MTW500i gaasidüüs diam 17 Sleeve System
7	FR4403503935	44,0350,3935	Gas nozzle Ø15/Ø25x61 CT/H M23x2
8	FR4201001371	42,0100,1371	Insulation ring ø20,8 / ø14x8,5
9	FR4403503426	44,0350,3426	Nozzle stock Contec MD MTW500i L=31,4
10	FR4200016336	42,0001,6336	Contec lukustusmutter
11	FR4201001156	42,0100,1156	Spatter guard ø14,5 / ø18x21,3
12	FR420001391210	42,0001,3912,10	Contec düüs 10tk
13	FR4201001497	42,0100,1497	MTW400i isolaator narrow
14	FR4200014919	42,0001,4919	MTW400i vooludüüsihoidja narrow M6
15	FR420001446110	42,0001,4461,10	Vooludüüs TPSi M6*0,8 10 tükki
15	FR420001446210	42,0001,4462,10	Vooludüüs TPSi M6*0,9 10 tükki
15	FR420001446310	42,0001,4463,10	Vooludüüs TPSi M6*1,0 10 tükki
15	FR420001446410	42,0001,4464,10	Vooludüüs TPSi M6*1,2 10 tükki
15	FR420001446510	42,0001,4465,10	Vooludüüs TPSi M6*1,4 10 tükki
15	FR420001446610	42,0001,4466,10	Vooludüüs TPSi M6*1,6 10 tükki
16	FR4200014917	42,0001,4917	MTW400i gaasidüüs narrow diam 13
17	FR4000020040005	40,0002,0040,005	TPSi spiraalkõri (MTW500i) 0,8 5m
17	FR4000020041005	40,0002,0041,005	TPSi spiraalkõri (MTW250/400/500i) 1,0 5m
17	FR4000020042005	40,0002,0042,005	TPSi spiraalkõri (MTW250/400/500i) 1,2 5m
17	FR4000020043005	40,0002,0043,005	TPSi spiraalkõri (MTW500i) 1,6 5m
18	FR4403503315	44,0350,3315	Kõri lukustusdetail hall 0,8 TPSi
18	FR4403503317	44,0350,3317	Kõri lukustusdetail sinine 1,0 TPSi
18	FR4403503318	44,0350,3318	Kõri lukustusdetail punane 1,2 TPSi
18	FR4403503320	44,0350,3320	Kõri lukustusdetail must 1,6 TPSi
19	FR4000020053005	40,0002,0053,005	Söödukõri C Extra slip diam 1,0 5m
19	FR4000020054005	40,0002,0054,005	Söödukõri C Extra slip diam 1,2 5m
19	FR4000020055005	40,0002,0055,005	Söödukõri C Extra slip diam 1,6 5m
20	FR4403503397	44,0350,3397	TPSi Combi kõri + teflon 1,0/ 4,8 m W Standard
20	FR4403503398	44,0350,3398	TPSi Combi kõri + teflon 1,2/ 4,8 m W Standard
20	FR4403503399	44,0350,3399	TPSi Combi kõri + teflon 1,6/ 4,8 m W



MTW 700i W ML / MTB 700i W MULTILOCK



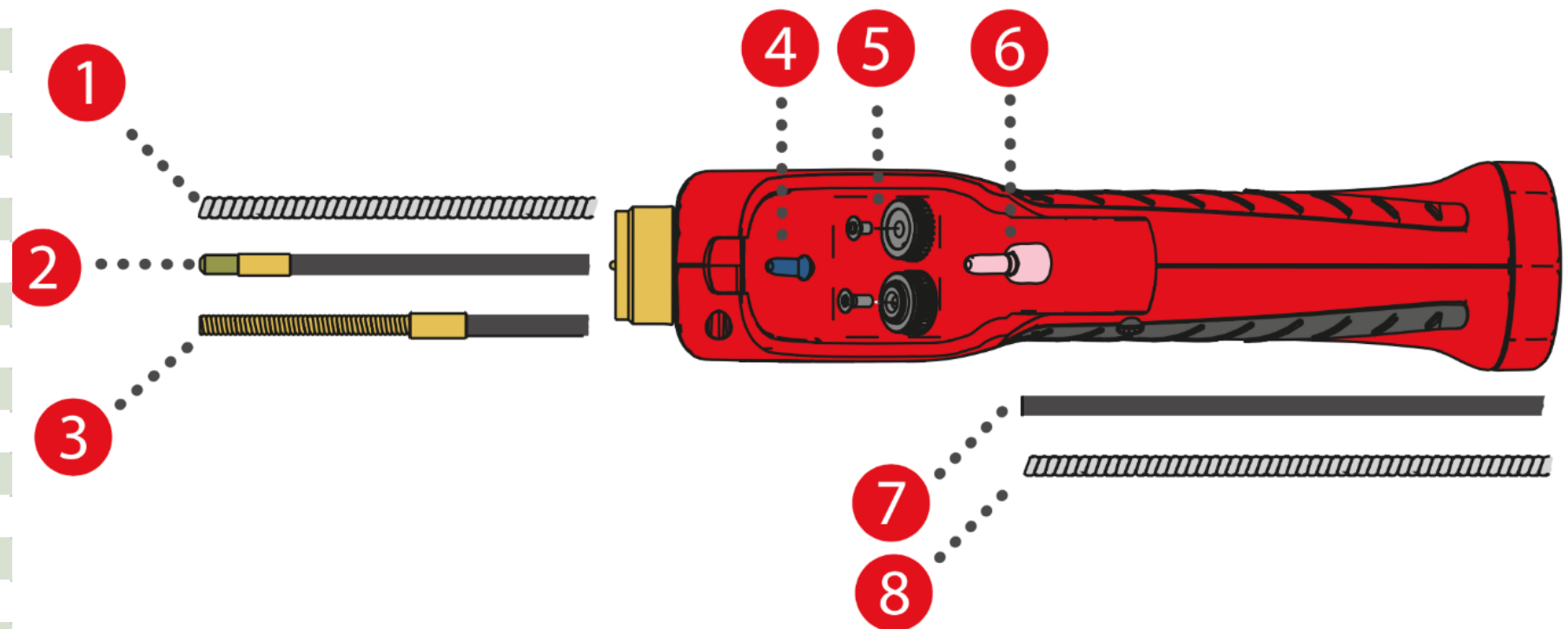
Nr	Spets kood	Kood	Nimi
1	FR4203002565	42,0300,2565	O-ring 10,0 x 1,5
2	FR4204020301	42,0402,0301	Sealing ring l \varnothing 13x1 NBR70
3	FR4204041393	42,0404,1393	Compression spring 2 9.07 3.2
4	FR4200014723	42,0001,4723	Lock catches \varnothing 26.9x \varnothing 19.1x7
5	FR4200014725	42,0001,4725	Gas noz. holder W700i \varnothing 30x11.5
6	FR4204011347	42,0401,1347	Countersunk screw M3x9 hex 2.5
7	FR4403503965	44,0350,3965	Cooling sleeve complete W700i \varnothing 26,3x28,8
8	FR4203003109	42,0300,3109	Sealing ring \varnothing 18,5x2,5mm MTW700i
9	FR4200014726	42,0001,4726	Nozzle stock M8x1,5 / SW10x29,4 H MTW700i
10	FR4201001464	42,0100,1464	Insulation sleeve M18x1/ \varnothing 21,6x21 MTW700i
11	FR420001646410	42,0001,6464,10	Vooludüüs M8*0,8 TPSi 10 tükki
11	FR420001646610	42,0001,6466,10	Vooludüüs M8*1,0 TPSi 10 tükki
11	FR420001646710	42,0001,6467,10	Vooludüüs M8*1,2 TPSi 10 tükki
11	FR420001646810	42,0001,6468,10	Vooludüüs M8*1,4 TPSi 10 tükki
11	FR420001646910	42,0001,6469,10	Vooludüüs M8*1,6 TPSi 10 tükki
12	FR4403504079	44,0350,4079	Gas nozzle W700i \varnothing 17 / \varnothing 29.5x68,5 komplektne
13	FR4200014868	42,0001,4868	Gas nozzle end cap \varnothing 17 / MTW700i
15	FR4200016336	42,0001,6336	Contec lukustusmutter



TPSi PULLMIG



nr	Spets kood	Kood	Nimi
	FR4000020040005	40,0002,0040,005	TPSi spiraalkõri (MTW500i) 0,8 5m
	FR4000020041005	40,0002,0041,005	TPSi spiraalkõri (MTW250/400/500i) 1,0 5m
	FR4000020042005	40,0002,0042,005	TPSi spiraalkõri (MTW250/400/500i) 1,2 5m
	FR4000020043005	40,0002,0043,005	TPSi spiraalkõri (MTW500i) 1,6 5m
	FR4000020044005	40,0002,0044,005	TPSi spiraalkõri CrNi (MTW500i) 0,8 5m
	FR4000020045005	40,0002,0045,005	TPSi spiraalkõri CrNi (MTW500i) 1,0 5m
	FR4000020046005	40,0002,0046,005	TPSi spiraalkõri CrNi (MTW500i) 1,2 5m
	FR4000020047005	40,0002,0047,005	TPSi spiraalkõri CrNi (MTW500i) 1,6 5m
	FR4403503710	44,0350,3710	TBL Wire guide W Al /1,2/0,25m
	FR4403503715	44,0350,3715	TBL G Al /1,2/0,25m
	FR4204052051	42,0405,2051	Gas-saver nozzle front ø1.0
	FR4204052050	42,0405,2050	Gas-saver nozzle front ø1.2
	FR4400011490	44,0001,1490	Feed roller PM 0.8K kit
	FR4400011492	44,0001,1492	Feed roller PM 1.0K kit
	FR4400011493	44,0001,1493	Feed roller PM 1.2K kit
	FR4204052055	42,0405,2055	Wire guide seal rear ø0.8-1.2
	FR4000010531010	40,0001,0531,010	Grafiitkõri TPSi 1,2 (10 m)
	FR4000010532010	40,0001,0532,010	Grafiit kõri TPSi 1,6 10m
	FR4000010533010	40,0001,0533,010	Grafiitkõri TPSi 2,0 10m



TPSI SÖÖDURULLID



Nr	Spets kood	Kood	Nimi
	FR4400011405	44,0001,1405	Söötmissrull FSR U 0,8 hall
	FR4400011406	44,0001,1406	Söötmissrull FSR U 0,9-1,0 sinine
	FR4400011407	44,0001,1407	Söötmissrull FSR U 1,2 punane
	FR4400011408	44,0001,1408	Söötmissrull FSR U 1,4-1,6
	FR4400011431	44,0001,1431	Feeder roll 1,2 R
	FR4400011432	44,0001,1432	Söötmissrull FSR R 1,4
	FR4400011433	44,0001,1433	Feeder roll TPSi 1,6R



TRANSSTEEL 2200 SÖÖDURULLIKUD

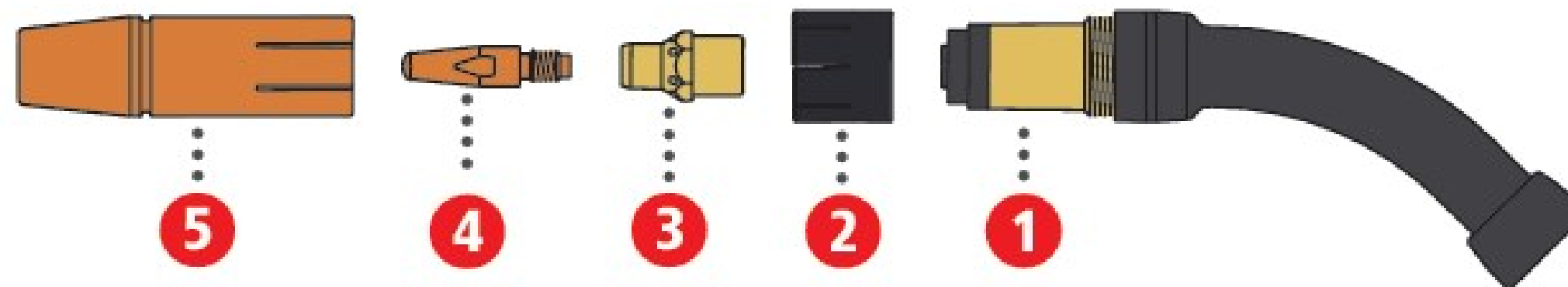
Nr	Spets kood	Kood	Nimi
	FR4200016687	42,0001,6687	Veorull 0,6T TsT2200 St
	FR4200016688	42,0001,6688	Veorull 0,8T TsT2200 St
	FR4200016689	42,0001,6689	Veorull 1,0T TsT2200 St
	FR4200016690	42,0001,6690	Veorull 1,2T TsT2200 St
	FR4204080006	42,0408,0006	Survelaager TsT2200 St
	FR4200016691	42,0001,6691	Veorull 0,9K TsT2200 Alu
	FR4200016692	42,0001,6692	Veorull 1,2K TsT2200 Alu
	FR4400010011	44,0001,0011	Surverull 0,9K TsT2200 Alu
	FR4400010012	44,0001,0012	Surverull 1,2K TsT2200 Alu



AL2300/AW2500



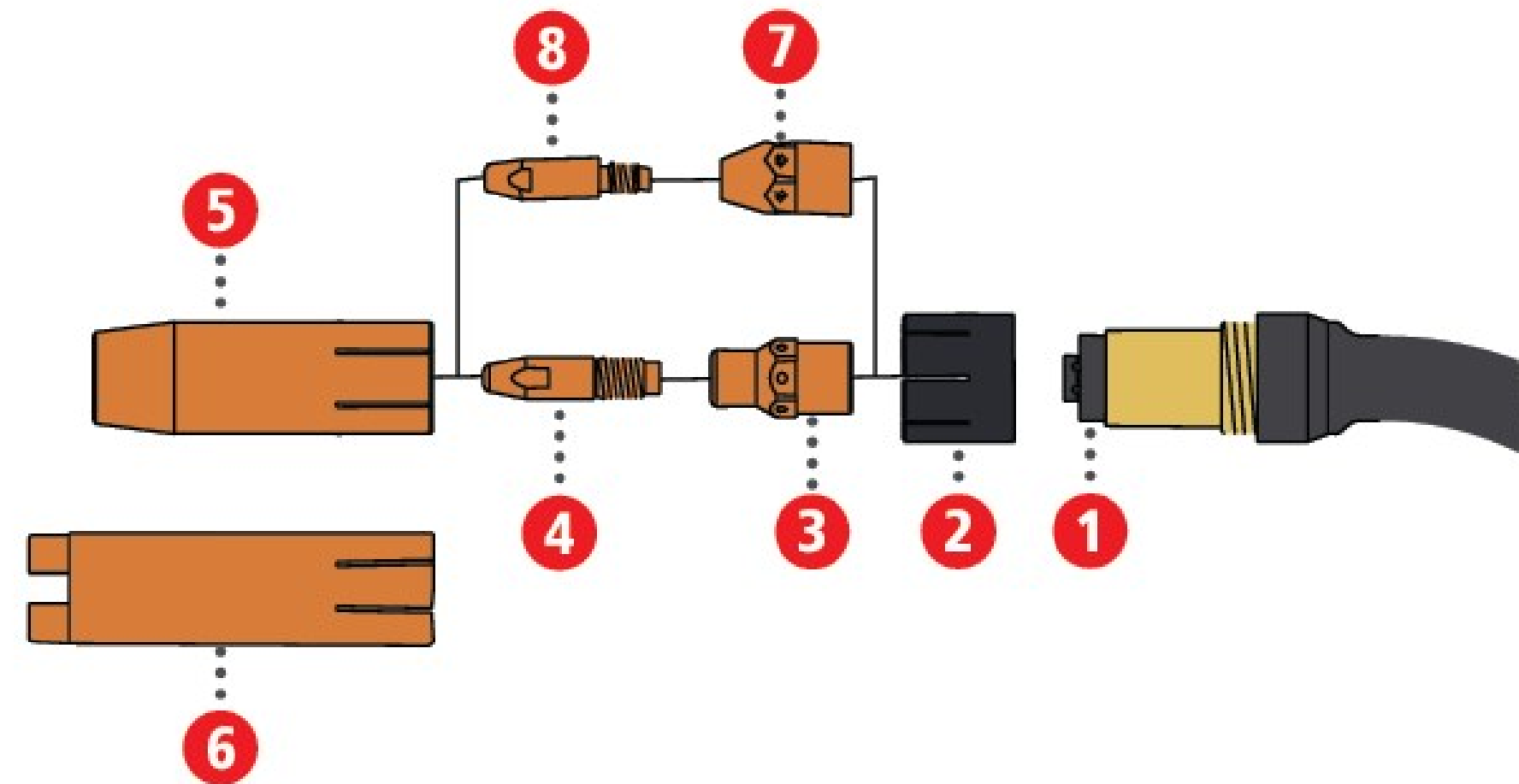
Nr	Spets kood	Kood	Nimi
1	FR4201000225	42,0100,0225	AL 2300 Isoleerrõngas
2	FR4200015171	42,0001,5171	AL2300/AW2500 Fixhülss
3	FR4200011718	42,0001,1718	AL2300 Vooludüüsihoidja
4	FR4200010053	42,0001,0053	Vooludüüs M6x0,8
4	FR4200010054	42,0001,0054	Vooludüüs M6x1,0
4	FR4200010055	42,0001,0055	Vooludüüs M6x1,2 Fronius original
4	FR4200011929	42,0001,1929	Vooludüüs M6*1,4
5	FR4200015172	42,0001,5172	AL2300/AW2500 gaasidüüs silindrine
5	FR4200015173	42,0001,5173*	AL2300/AW2500 gaasidüüs standard
5	FR4200015174	42,0001,5174	AL2300/AW2500 Gaasidüüs kooniline 10mm



AL3000/AW4000



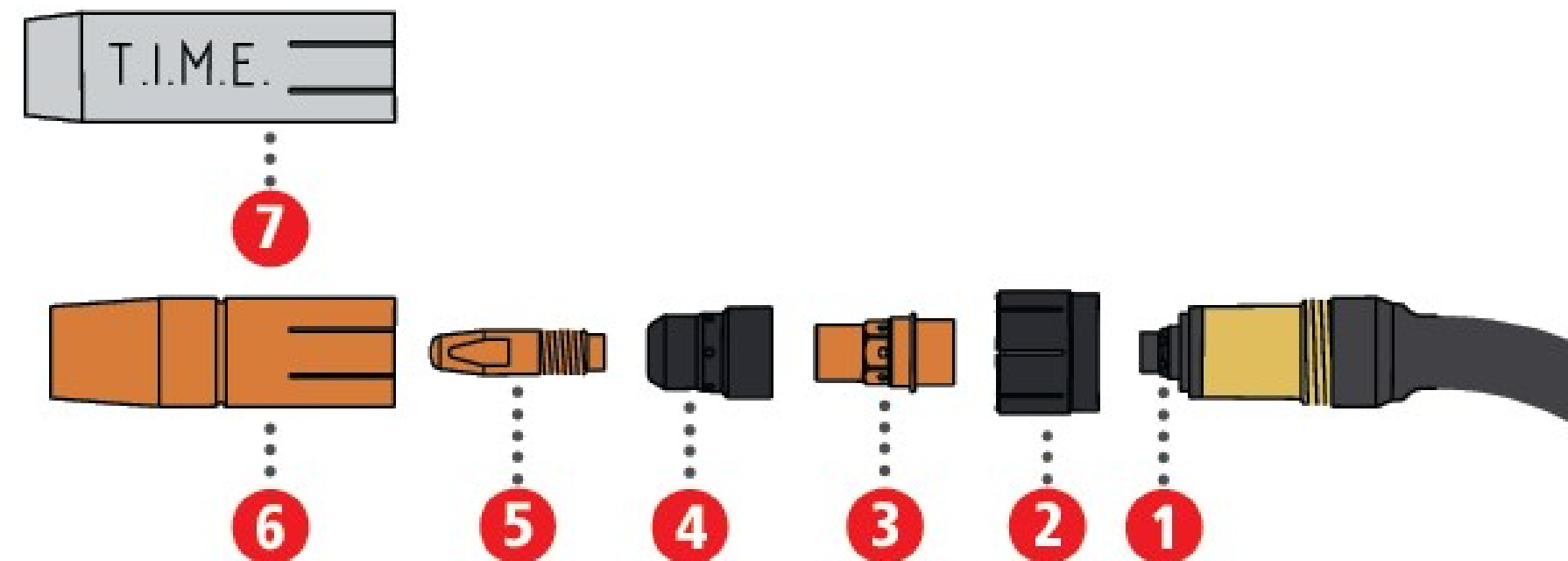
Nr	Spets kood	Kood	Nimi
1	FR4201001014	42,0100,1014	AL3000 Isoleerrõngas
1	FR4201001010	42,0100,1010	AL3000/AW4000 isoleerrõngas
2	FR4200012930	42,0001,2930	AL3000/RA300 Fikseerrõngas
3	FR4200015084	42,0001,5084	AL3000/AW4000 Vooludüüsihoidja M8
4	FR4200012911	42,0001,2911	Vooludüüs M8*0,8
4	FR4200012912	42,0001,2912	Vooludüüs M8*1,0
4	FR4200012913	42,0001,2913	Vooludüüs M8*1,2
4	FR4200015082	42,0001,5082	vooldüüs M8*0,8
4	FR4200015051	42,0001,5051	Vooludüüs M8*1,0 Alu
4	FR4200015051	42,0001,5051	Vooludüüs M8*1,0 Alu
4	FR4200015053	42,0001,5053	Vooludüüs M8*1,4
5	FR4200015269	42,0001,5269	AL3000/AW4000 Gaasidüüs kooniline 15,2mm
5	FR4200015096	42,0001,5096	AL3000/AW4000 Gaasidüüs standard
5	FR4200015151	42,0001,5151*	AL3000/AW4000 Gaasidüüs kooniline 11mm
5	FR4200015821	42,0001,5821	AL3000/AW4000 Gaasidüüs sirge
6	FR4403502070	44,0350,2070	AL3000/AW4000 Gaasidüüs punktimiseks



AL4000/AW5000



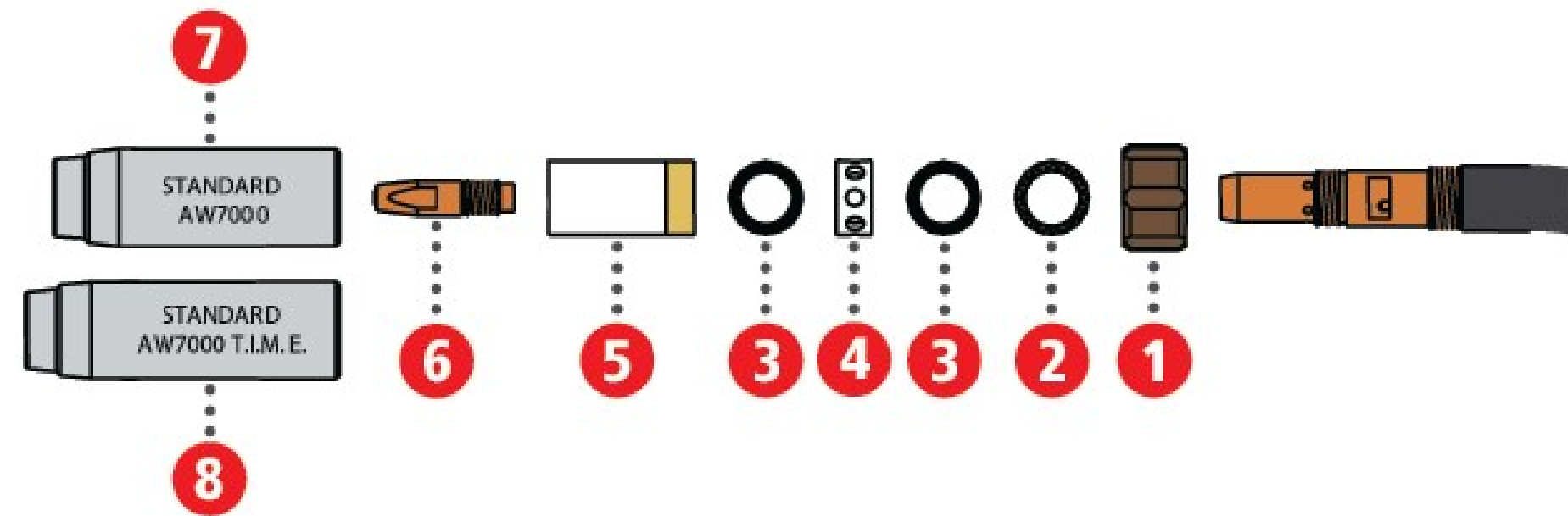
Nr	Spets kood	Kood	Nimi
1	FR4201001018	42,0100,1018	AL4000 isoleerrõngas
1	FR4201001016	42,0100,1016	AL4000/AW5000 isoleerrõngas
2	FR4200012970	42,0001,2970	AL4000/AW5000 fikseerrõngas
3	FR4200015122	42,0001,5122	AL4000/AW5000 vooludüüsi hoidja
4	FR4201001007	42,0100,1007	AL4000/AW5000 pritsmekaitse
5	FR4200011576	42,0001,1576	vooludüüs M10*0,8
5	FR4200013277	42,0001,3277	Vooludüüs M10*0,9
5	FR4200011577	42,0001,1577	Vooludüüs M10*1,0 CuCrZr Fronius original
5	FR4200011578	42,0001,1578*	Vooludüüs M10*1,2 CuCrZr Fronius original
5	FR4200011930	42,0001,1930	Vooludüüs M10*1,4 CuCrZr Fronius original
5	FR4200011579	42,0001,1579	Vooludüüs M10*1,6 CuCrZr Fronius original
5	FR4200015057	42,0001,5057	Vooludüüs M10*1,0 ZB
5	FR4200015289	42,0001,5289	Vooludüüs M10*1,0 Alu ZB4,8
5	FR4200015058	42,0001,5058	vooludüüs M10*1,2 Alu/Steel/CrNi CB 4,1
5	FR4200015059	42,0001,5059	vooludüüs M10*1,4 Alu CB 4,1
5	FR4200015060	42,0001,5060	Vooludüüs M10*1,6
6	FR4200015127	42,0001,5127	AL4000/AW5000 gaasidüüs silindriline
6	FR4200015128	42,0001,5128*	AL4000/AW5000 Gaasidüüs kooniline
6	FR4200015607	42,0001,5607	MTW5000 Gaasidüüs kooniline 17mm
6	FR4200015129	42,0001,5129	AL4000/AW5000 Gaasidüüs kooniline
7	FR4200015155	42,0001,5155	RA5000 Gaasidüüs TIME



AW7000 / AW7000 TIME

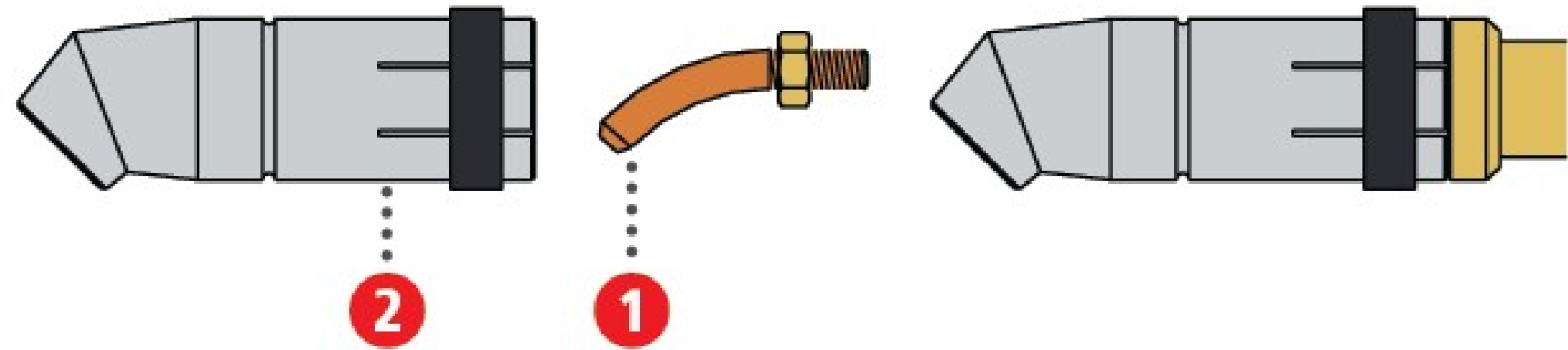


Nr	Spets kood	Kood	Nimi
1	FR4204001003	42,0400,1003	AW7000 Kinnitusmutter
2	FR4201000128	42,0100,0128	AW7000 Ühendusrõngas
3	FR4203000016	42,0300,0016	AW7000 Kummitihend
5	FR4201000418	42,0100,0418	AW7000 Isoleer rõngas
6	FR4200011576	42,0001,1576	vooludüüs M10*0,8
	FR4200013277	42,0001,3277	Vooludüüs M10*0,9
	FR4200011577	42,0001,1577	Vooludüüs M10*1,0 CuCrZr Fronius original
	FR4200011578	42,0001,1578*	Vooludüüs M10*1,2 CuCrZr Fronius original
	FR4200011930	42,0001,1930	Vooludüüs M10*1,4 CuCrZr Fronius original
	FR4200011579	42,0001,1579	Vooludüüs M10*1,6 CuCrZr Fronius original
7	FR4403501698	44,0350,1698*	AW7000 Gaasidüüs 28*17*82





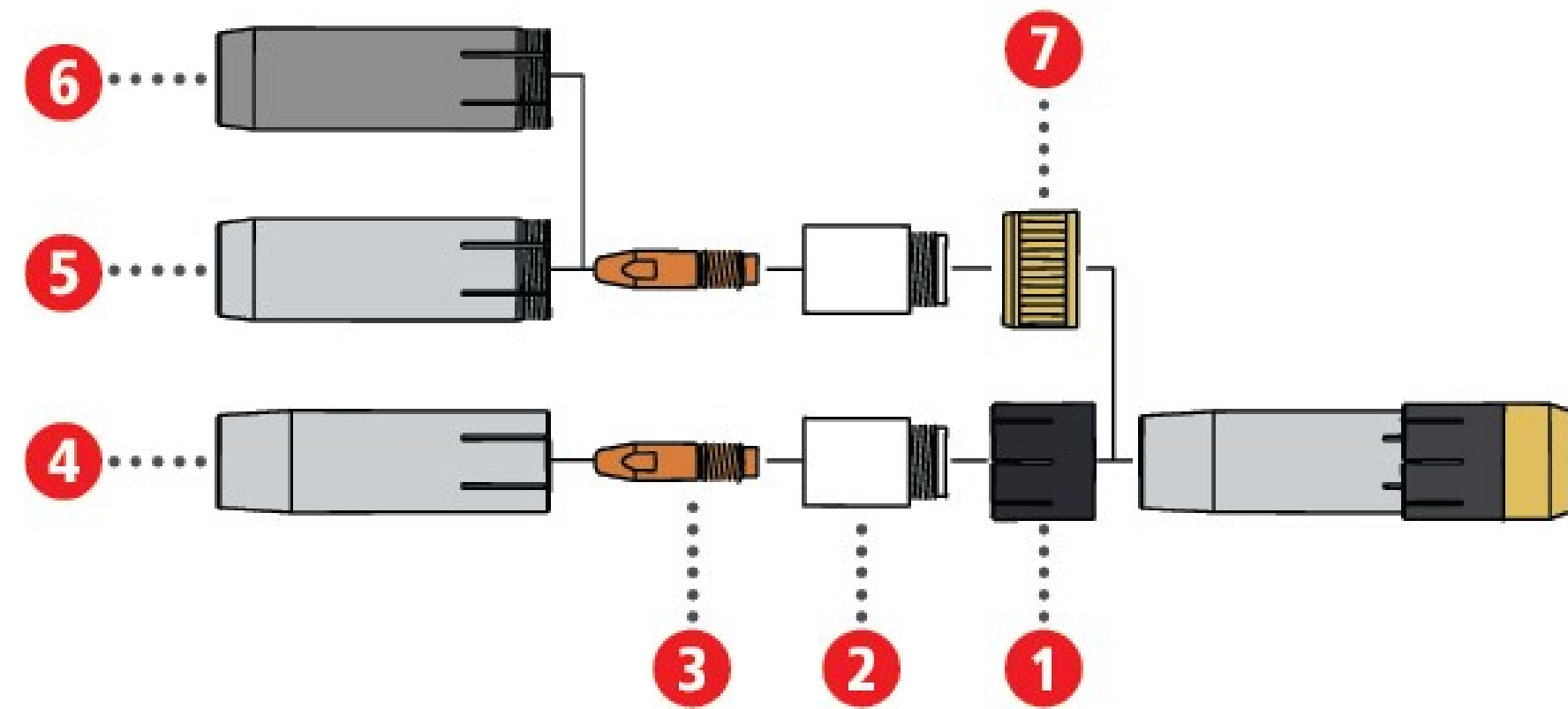
Nr	Kood	Nimi
1	44,0350,0773*	vooludüüs 0,8-1,0 M6 bent
	44,0350,0771	vooludüüs 1,0-1,2 M6 bent
	44,0350,2213	vooludüüs 1,2-1,4 M6 bent
2	44,0350,0718	gaasidüüs kooniline 45 kraadi $\varnothing 15/\varnothing 25 \times 79,0$ isoleeritud



ROBACTA 300



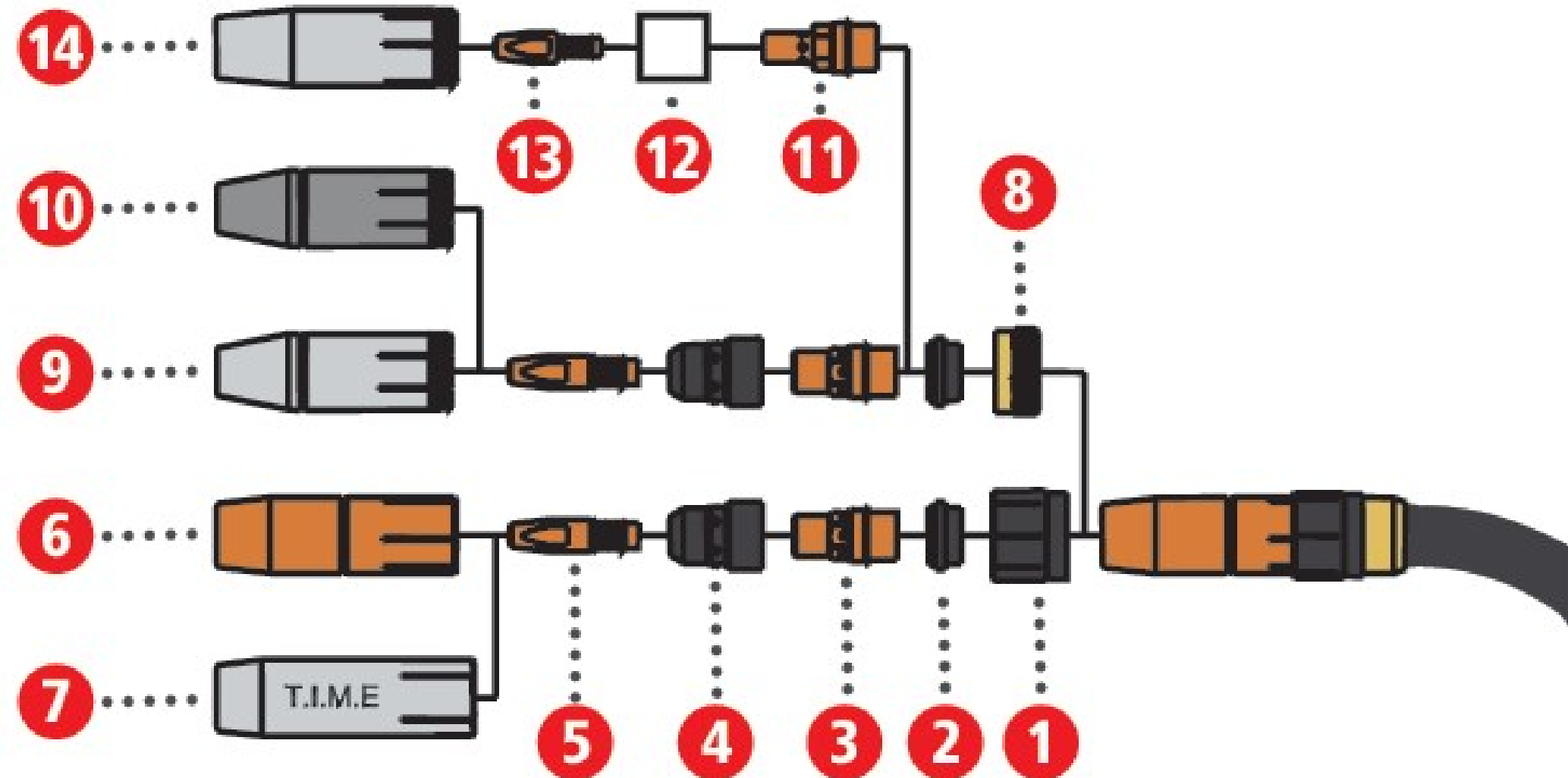
Nr	Spets kood	Kood	Nimi
1	FR4200012930	42,0001,2930	AL3000/RA300 Fikseerrõngas
2	FR4201000425	42,0100,0425	RA300 isolaator
3	FR4200012911	42,0001,2911	Vooludüüs M8*0,8
4	FR4200012933	42,0001,2933*	RA300 Gaasidüüs kooniline 22/15/72
4	FR4200015083	42,0001,5083	RA300 Gaasidüüs kooniline
4	FR4200012931	42,0001,2931	RA300 Gaasidüüs
5	FR4200015214	42,0001,5214	RA300 gaasidüüs keermega 13 mm
7	FR4200012986	42,0001,2986	RA300 fikseerrõngas M22*1



ROBACTA 5000

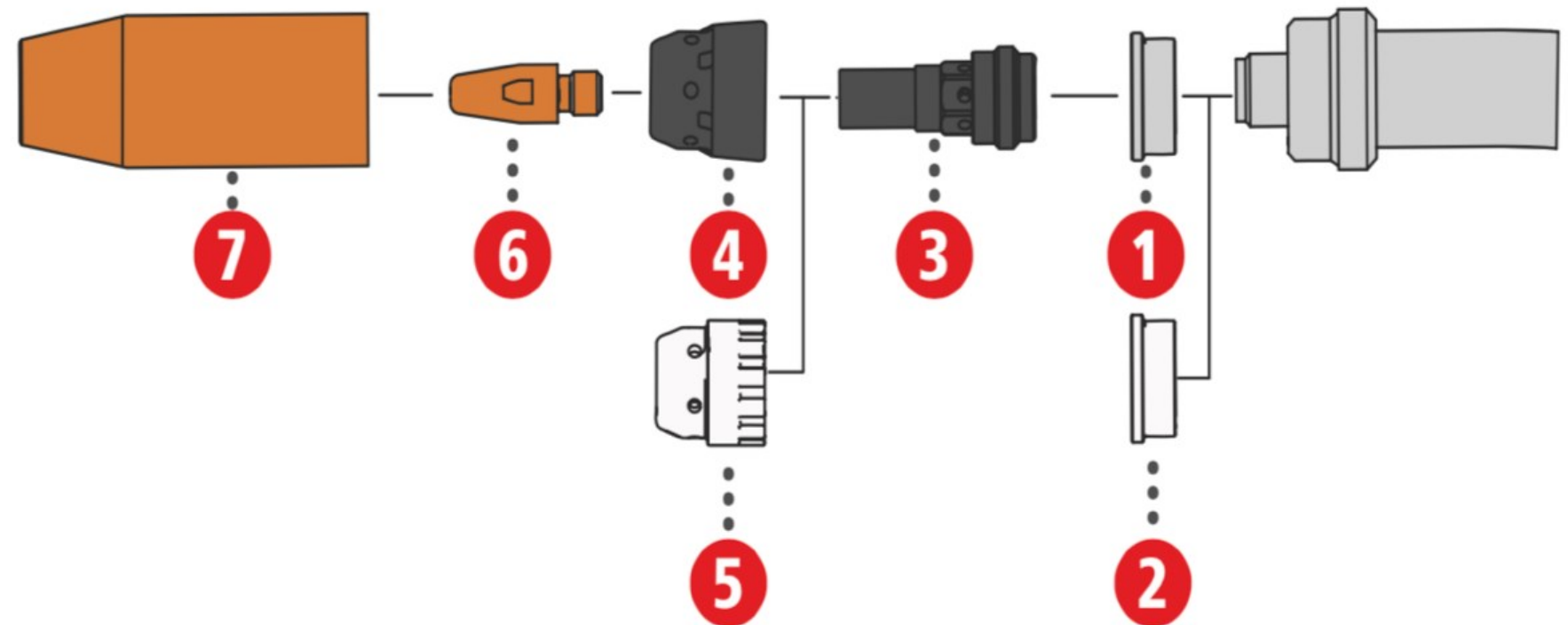


Nr	Spets kood	Kood	Nimi
1	FR4200012970	42,0001,2970	AL4000/AW5000 fikseerrõngas
2	FR4201001016	42,0100,1016	AL4000/AW5000 isoleerrõngas
3	FR4200015122	42,0001,5122	AL4000/AW5000 vooludüüsi hoidja
4	FR4201001007	42,0100,1007	AL4000/AW5000 pritsmekaitse
5	FR4200011576	42,0001,1576	vooludüüs M10*0,8
5	FR4200013277	42,0001,3277	Vooludüüs M10*0,9
5	FR4200011577	42,0001,1577	Vooludüüs M10*1,0 CuCrZr Fronius original
5	FR4200011578	42,0001,1578*	Vooludüüs M10*1,2 CuCrZr Fronius original
5	FR4200011930	42,0001,1930	Vooludüüs M10*1,4 CuCrZr Fronius original
5	FR4200011579	42,0001,1579	Vooludüüs M10*1,6 CuCrZr Fronius original
5	FR4200015057	42,0001,5057	Vooludüüs M10*1,0 ZB
5	FR4200015289	42,0001,5289	Vooludüüs M10*1,0 Alu ZB4,8
5	FR4200015058	42,0001,5058	vooludüüs M10*1,2 Alu/Steel/CrNi CB 4,1
5	FR4200015059	42,0001,5059	vooludüüs M10*1,4 Alu CB 4,1
5	FR4200015060	42,0001,5060	Vooludüüs M10*1,6
6	FR4200015127	42,0001,5127	AL4000/AW5000 gaasidüüs silindriline
6	FR4200015128	42,0001,5128*	AL4000/AW5000 Gaasidüüs kooniline
7	FR4200015155	42,0001,5155	RA5000 Gaasidüüs TIME
8	FR4200012995	42,0001,2995	RA5000 fikseerrõngas
9	FR4200015512	42,0001,5512	AL4000/AW5000 Robacta gaasidüüs keermega 17mm
9	FR4200015515	42,0001,5515	Gas nozzle RA5000 diam 15,2 thread
11	FR4200015605	42,0001,5605	Nozzle stock M8/SW13x37,5 sleeve system
12	FR4201001125	42,0100,1125	Insulating sleeve RA5000
13	FR4200013555	42,0001,3555	Vooludüüs 1,0/M8/ø10x35 H
13	FR4200013554	42,0001,3554	Vooludüüs 1,2/M8/ø10x35 H
14	FR4200015604	42,0001,5604	Gaasidüüs koonusekujuline ø17/ø25x79
14	FR4200015873	42,0001,5873	Gaasidüüs koonusekujuline ø15/ø25x79



MTG 250I / MTB 250I G MULTILOCK

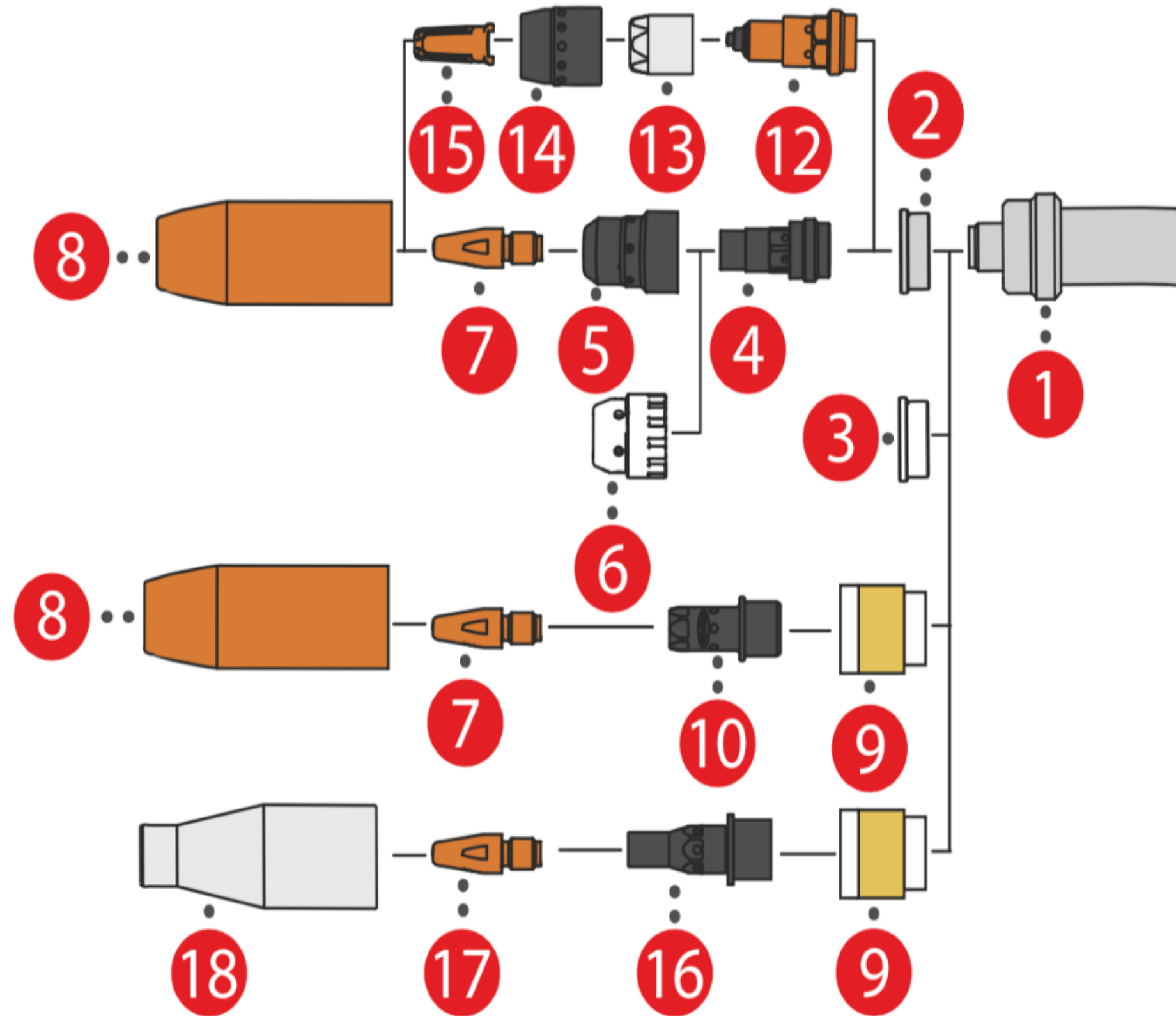
Nr	Spets kood	Kood	Nimi
1	FR4201001428	42,0100,1428,5	MTG250i Isoleerrõngas 1tk (5 ^{***})
3	FR4200013988	42,0001,3988,5	MTG250i vooludüüsihoidja M6 (5 ^{***})
4	FR4201000552	42,0100,0552,5	MTW250i pritsmekaitse (5 ^{***})
5	FR4201000531	42,0100,0531,5	MTW250i pritsmekaitse HD (5 ^{***})
6	FR420001446110	42,0001,4461,10	Vooludüüs TPSi M6*0,8 10 tükki
6	FR420001446210	42,0001,4462,10	Vooludüüs TPSi M6*0,9 10 tükki
6	FR420001446310	42,0001,4463,10	Vooludüüs TPSi M6*1,0 10 tükki
6	FR420001446410	42,0001,4464,10	Vooludüüs TPSi M6*1,2 10 tükki
6	FR420001446510	42,0001,4465,10	Vooludüüs TPSi M6*1,4 10 tükki
6	FR420001446610	42,0001,4466,10	Vooludüüs TPSi M6*1,6 10 tükki
7	FR4200014084	42,0001,4084	MTW250i gaasidüüs diam10



MTG 320I / MTB 320I G ML



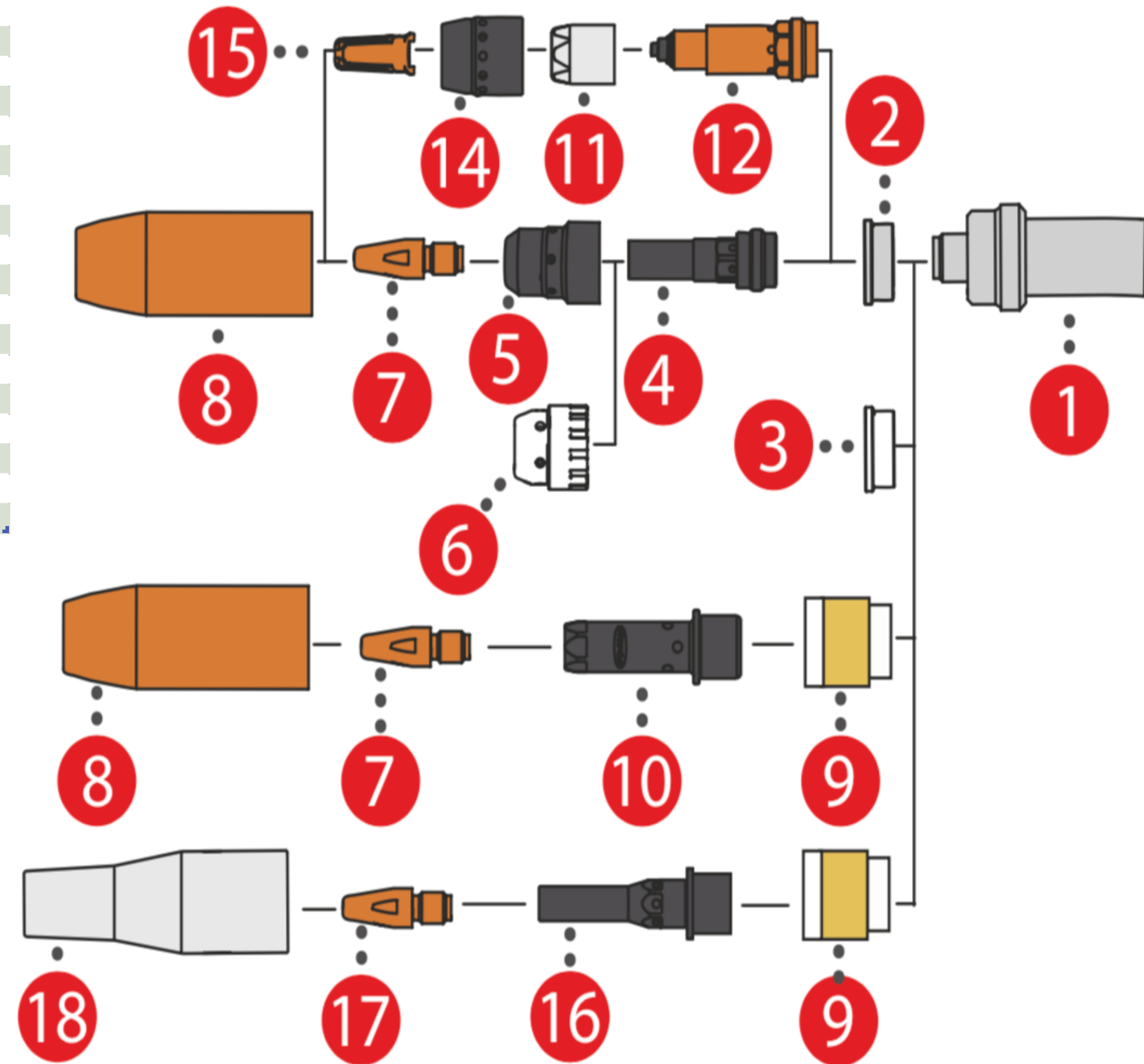
Nr	Spets kood	Kood	Nimi
1	FR4200013982	42,0001,3982	Gas nozzle mouting G320/400
2	FR4201001429	42,0100,1429,5	MTG400i isoleerrõngas (5 ^{***}) 1tk
4	FR4200013987	42,0001,3987,5	MTG320i vooludüüsi hoidja M8 1 tk (5 ^{***})
5	FR4201000575	42,0100,0575,5	MTG320i/MTG400i pritsmekaitse 1 tk (5 ^{***})
7	FR420001646410	42,0001,6464,10	Vooludüüs M8*0,8 TPSi 10 tükki
7	FR420001646610	42,0001,6466,10	Vooludüüs M8*1,0 TPSi 10 tükki
7	FR420001646710	42,0001,6467,10	Vooludüüs M8*1,2 TPSi 10 tükki
7	FR420001646810	42,0001,6468,10	Vooludüüs M8*1,4 TPSi 10 tükki
7	FR420001646910	42,0001,6469,10	Vooludüüs M8*1,6 TPSi 10 tükki
8	FR4200014080	42,0001,4080*	MTW400i gaasidüüs diam 13 1 tk (5 ^{***})
8	FR4200014054	42,0001,4054	MTW500i gaasidüüs silindriline diam21 L63
13	FR4200016336	42,0001,6336	Contec lukustusmutter
14	FR4201001156	42,0100,1156	Spatter guard ø14,5 / ø18x21,3
14	FR420001391210	42,0001,3912,10	Contec düüs 10tk
18	FR4200014917	42,0001,4917	MTW400i gaasidüüs narrow diam 13
17	FR420001446110	42,0001,4461,10	Vooludüüs TPSi M6*0,8 10 tükki
17	FR420001446210	42,0001,4462,10	Vooludüüs TPSi M6*0,9 10 tükki
17	FR420001446310	42,0001,4463,10	Vooludüüs TPSi M6*1,0 10 tükki
17	FR420001446410	42,0001,4464,10	Vooludüüs TPSi M6*1,2 10 tükki
17	FR420001446510	42,0001,4465,10	Vooludüüs TPSi M6*1,4 10 tükki
17	FR420001446610	42,0001,4466,10	Vooludüüs TPSi M6*1,6 10 tükki



MTG 400I / MTB 400I G ML



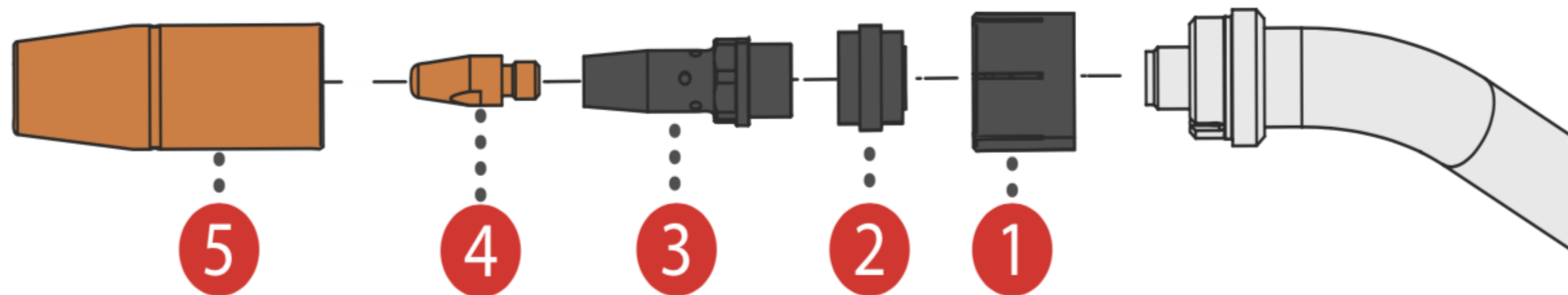
Nr	Spets kood	Kood	Nimi
1	FR4200013982	42,0001,3982	Gas nozzle mouting G320/400
2	FR4201001429	42,0100,1429*	MTG400i isoleerrõngas (5***) 1tk
3	FR4201000530	42,0100,0530,5	MTG320i/MTG400i isoleerrõngas HD 1 tk (5***)
4	FR4200013975	42,0001,3975,5	MTG400i vooludüüsi hoidja M8*1,5 (5***)
7	FR420001646410	42,0001,6464,10	Vooludüüs M8*0,8 TPSi 10 tükki
7	FR420001646610	42,0001,6466,10	Vooludüüs M8*1,0 TPSi 10 tükki
7	FR420001646710	42,0001,6467,10	Vooludüüs M8*1,2 TPSi 10 tükki
7	FR420001646810	42,0001,6468,10	Vooludüüs M8*1,4 TPSi 10 tükki
7	FR420001646910	42,0001,6469,10	Vooludüüs M8*1,6 TPSi 10 tükki
8	FR4200014045	42,0001,4045*	MTG400i gaasidüüs diam 15mm
8	FR4200014053	42,0001,4053	MTW500i gaasidüüs diam 21,1 (silindrili.)
13	FR4200016336	42,0001,6336	Contec lukustusmutter
14	FR4201001156	42,0100,1156	Spatter guard ø14,5 / ø18x21,3
17	FR420001446110	42,0001,4461,10	Vooludüüs TPSi M6*0,8 10 tükki
17	FR420001446210	42,0001,4462,10	Vooludüüs TPSi M6*0,9 10 tükki
17	FR420001446310	42,0001,4463,10	Vooludüüs TPSi M6*1,0 10 tükki
17	FR420001446410	42,0001,4464,10	Vooludüüs TPSi M6*1,2 10 tükki
17	FR420001446510	42,0001,4465,10	Vooludüüs TPSi M6*1,4 10 tükki
17	FR420001446610	42,0001,4466,10	Vooludüüs TPSi M6*1,6 10 tükki



MTG 2100S



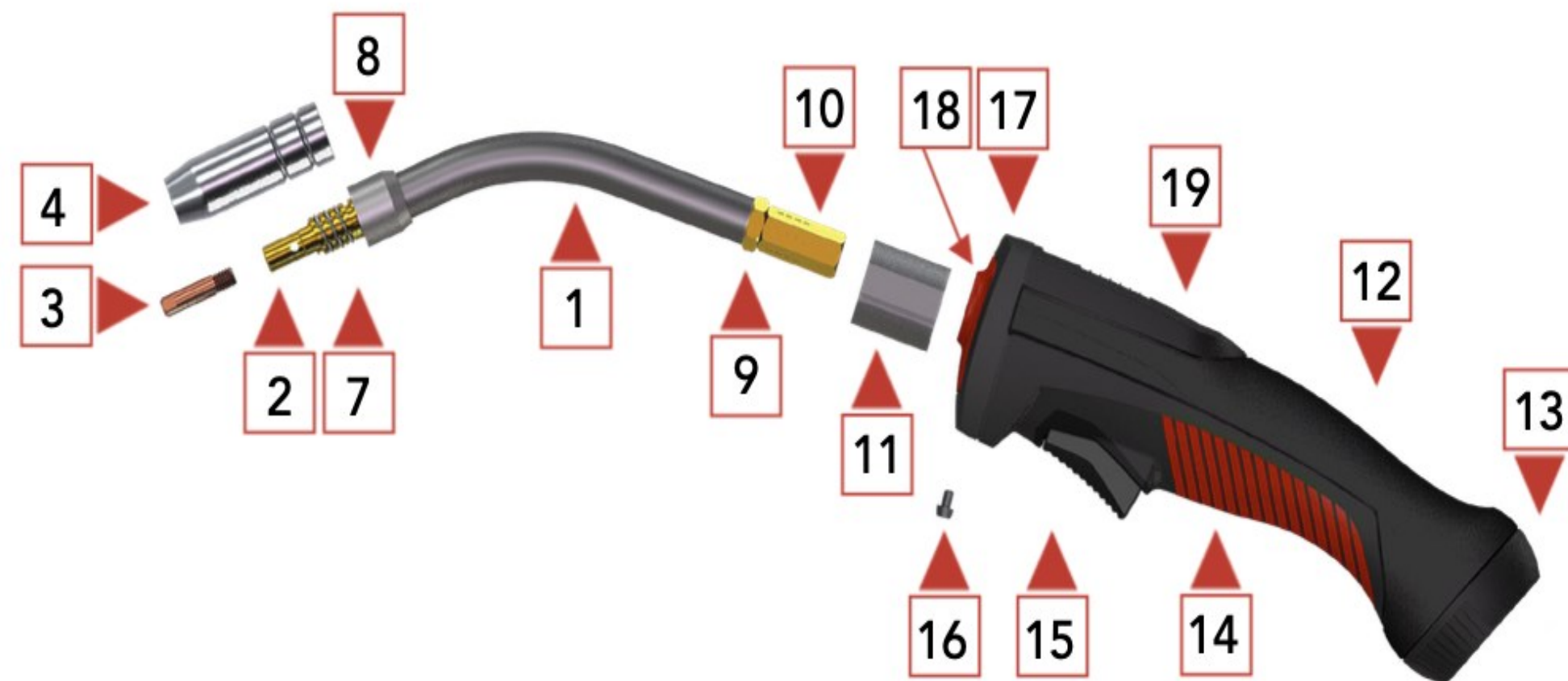
Nr	Spets kood	Kood	Nimi
1	FR4200014915	42,0001,4915	MTG2100 Fixing sleeve ø20/ø22x19
2	FR4201001496	42,0100,1496	MTG2100 isoleerrõngas
3	FR4200014912	42,0001,4912	MTG2100 vooludüüsi hoidja M6
4	FR420001446110	42,0001,4461,10	Vooludüüs TPSi M6*0,8 10 tükki
4	FR420001446210	42,0001,4462,10	Vooludüüs TPSi M6*0,9 10 tükki
4	FR420001446310	42,0001,4463,10	Vooludüüs TPSi M6*1,0 10 tükki
4	FR420001446410	42,0001,4464,10	Vooludüüs TPSi M6*1,2 10 tükki
4	FR420001446510	42,0001,4465,10	Vooludüüs TPSi M6*1,4 10 tükki
4	FR420001446610	42,0001,4466,10	Vooludüüs TPSi M6*1,6 10 tükki
5	FR4403504128	44,0350,4128	MTG2100 gaasidüüs ø12 x 20 x 59



TRANSLAS MIG 8XM TYPE 15



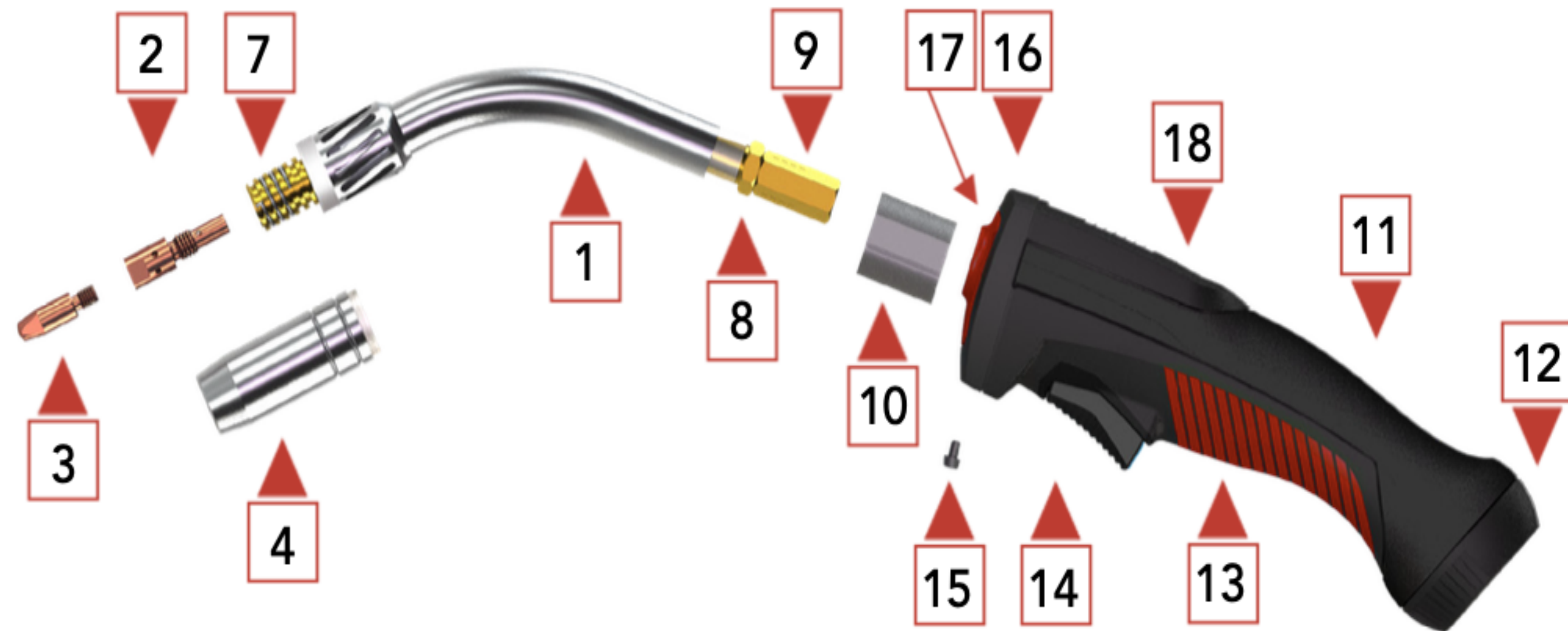
Nr	Spets kood	Kood	Nimi
1	-	300030	Põletipea
1	-	300032	Põletipea flex
2	TRA150000	150000	Vooludüüsi hoidja M6
3	-	100102	Vooludüüs M6-06-0,8mm
3	-	100106	Vooludüüs M6-06-1,0mm
3	-	100108	Vooludüüs M6-06-1,2mm
4	-	200105	Gaasidüüs silindriline diam 16,1
4	TRA200120	200120	Gaasidüüs kooniline diam 12
4	-	200155	Gaasidüüs kooniline diam 13
5	-	258153	Kaablipakett 16mm ² 3mtr
5	-	258154	Kaablipakett 16mm ² 4mtr
5	-	258155	Kaablipakett 16mm ² 5mtr
6	-	301535	Traadikõri sinine (ø 1,5/4,5mm round) 3m
6	-	301545	Traadikõri sinine (ø 1,5/4,5mm round) 4m
6	TRA301555	301555	Traadikõri sinine (ø 1,5/4,5mm round) 5m
6	-	302535	Traadikõri punane (ø 2,0/4,5mm round) 3m
6	-	302545	Traadikõri punane (ø 2,0/4,5mm round) 4m
6	TRA302555	302555	Traadikõri punane (ø 2,0/4,5mm round) 5m
7	-	305600	Düüsi paigaldusvedru
8	-	305241	Isolaator
9	-	305401	Lukustusmutter M10x1x5mm
10	-	305400	Kaheksanurkne mutter M10x1x26
11	-	305500	Plastirõngas
12	-	8M9900	8XM käepide komplektne
13	-	8M9300	8XM lukustusmutter
14	-	8M9150	8XM Kaitseplastik
15	-	8M9350	8XM päästik
15	-	361192	8XM päästiku vedru
15	-	8M3999	8XM mikrolüliti
16	-	501151	Kruvi
17	-	8M9200	8XM lukustuskate
18	-	8M9250	8XM põletipea adapter
19	-	8M9100	8XM pime kate
20	TRA350655	350655	kaablitugi
21	TRA8M9419	8M9419	8XM lukustusrõngas
22	TRA8M9400	8M9400	8XM korpus konnektorile
23	TRA305310	305310	Kruvi M4x6
24	TRA305298	305298	Euro konnektor spring pin
25	-	305309	Spring pin komplekt
26	TRA305316	305316	Kõri positsioneerimismutter
27	TRA8M9420	8M9420	8XM adapter mutter
28	TRA8M9500	8M9500	Kaabli leevendi



TRANSLAS MIG 8XM TYPE 25



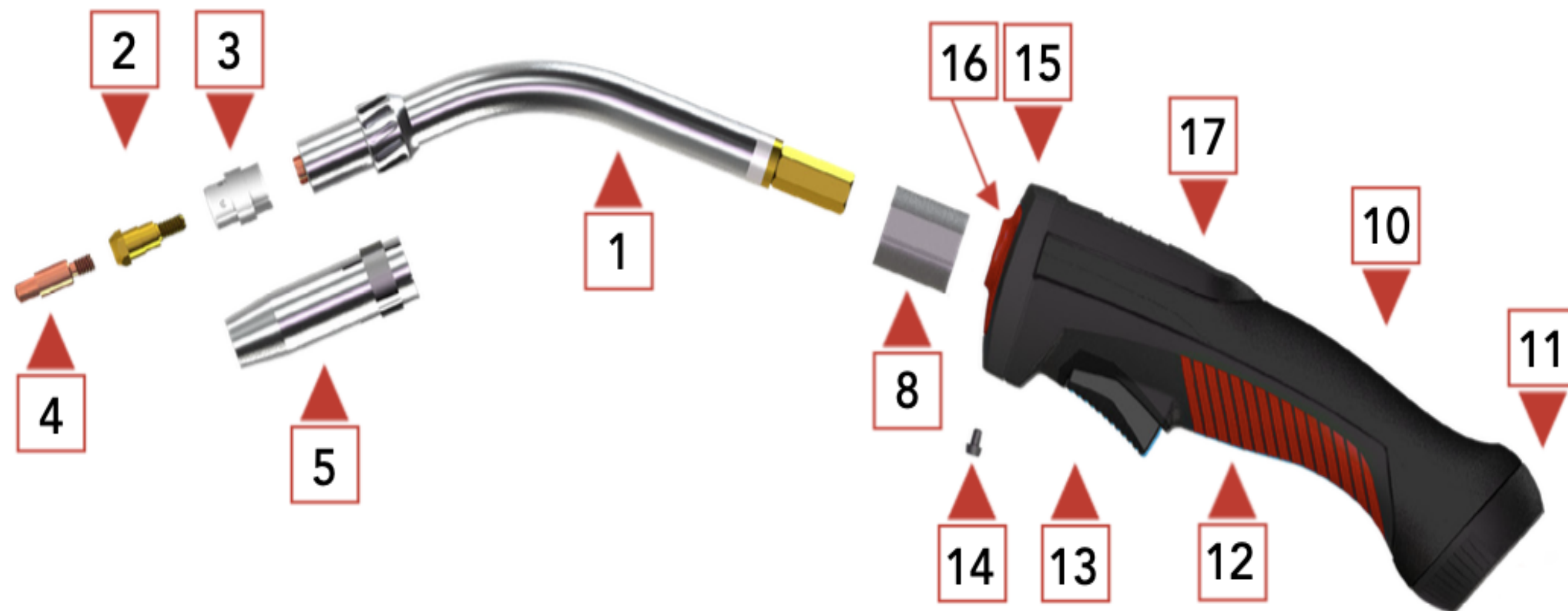
Nr	Kood	Nimi
1	300625	Põletipea
2	150102	Vooludüüsi hoidja M6
	150106	Vooludüüsi hoidja M8
3	100202	Vooludüüs M6-06-0,8mm
	100206	Vooludüüs M6-06-1,0mm
	100208	Vooludüüs M6-06-1,2mm
4	200409	Gaasidüüs silindriline diam 18
	200415	Gaasidüüs kooniline diam 15
	200465	Gaasidüüs kooniline diam 14
5	258253	Kaablipakett 25mm ² 3mtr
	258254	Kaablipakett 25mm ² 4mtr
	258255	Kaablipakett 25mm ² 5mtr
6	302535	Traadikõri punane (ø 2,0/4,5mm round) 3m
	302545	Traadikõri punane (ø 2,0/4,5mm round) 4m
	302555	Traadikõri punane (ø 2,0/4,5mm round) 5m
	301535	Traadikõri sinine (ø 1,5/4,5mm round) 3m
	301545	Traadikõri sinine (ø 1,5/4,5mm round) 4m
	301555	Traadikõri sinine (ø 1,5/4,5mm round) 5m
7	305620	Düüsi paigaldusvedru
8	305401	Lukustusmutter M10x1x5mm
9	305400	Kaheksanurke mutter M10x1x26
10	305500	Plastirõngas
11	8M9900	8XM käepide komplekt ne
12	8M9300	8XM lukustusmutter
13	8M9150	8XM Kaitseplastik
14	8M9350	8XM päästik
	361192	8XM päästiku vedru
	8M3999	8XM mikrolüliti
15	501151	Kruvi
16	8M9200	8XM lukustusgate
17	8M9250	8XM põletipea adapter
18	8M9100	8XM pime kate
19	350655	kaablit ugi
20	8M9419	8XM lukustusrõngas
21	8M9400	8XM korpus konnektorile
22	305310	Kruvi M4x6
23	305298	Euro konnektor spring pin
24	305309	Spring pin komplekt
25	305316	Kõri positsioneerimismutter
26	8M9420	8XM adapter mutter
27	8M9500	Kaabli leevendi



TRANSLAS MIG 8XM TYPE 24



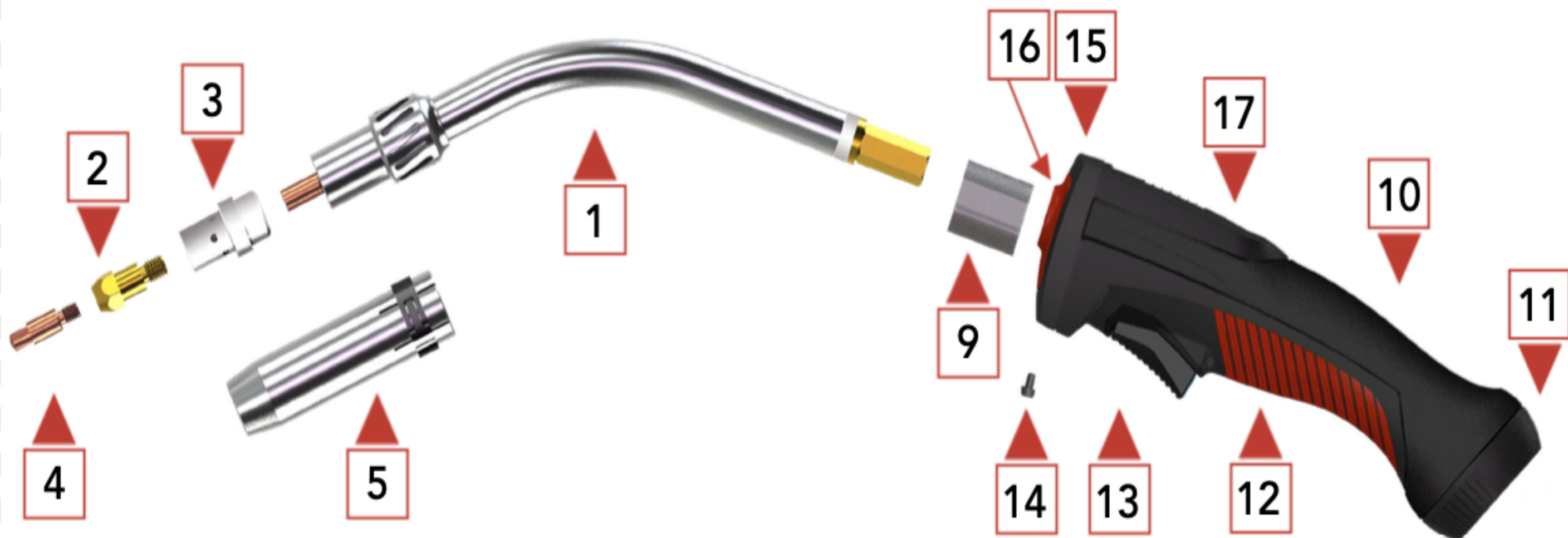
Nr	Kood	Nimi
1	300624	Põletipea
2	150002	Vooludüüsi hoidja M6
3	300510	Gaasihajuti valge
4	100202	Vooludüüs M6-06-0,8mm
	100206	Vooludüüs M6-06-1,0mm
	100208	Vooludüüs M6-06-1,2mm
5	200290	Gaasidüüs silindriline
	200300	Gaasidüüs kooniline 12,5
	200305	Gaasidüüs kooniline 10
6	258253	Kaablipakett 25mm ² 3mtr
	258253	Kaablipakett 25mm ² 4mtr
	258253	Kaablipakett 25mm ² 5mtr
7	302535	Traadikõri punane (ø 2,0/4,5mm round) 3mtr
	302545	Traadikõri punane (ø 2,0/4,5mm round) 4mtr
	302555	Traadikõri punane (ø 2,0/4,5mm round) 5mtr
	301535	Traadikõri sinine (ø 1,5/4,5mm round) 3mtr
	301545	Traadikõri sinine (ø 1,5/4,5mm round) 4mtr
	301555	Traadikõri sinine (ø 1,5/4,5mm round) 5mtr
8	305500	Plastikrõngas
9	305401	Lukustusmutter M10x1x5mm
10	8M9900	8XM käepide komplektne
11	8M9300	8XM lukustusmutter
12	8M9150	8XM Kaitseplastik
13	8M9350	8XM päästik
	361192	8XM päästiku vedru
	8M3999	8XM mikrolüliti
14	501151	Kruvi
15	8M9200	8XM lukustuskate
16	8M9250	8XM põletipea adapter
17	8M9100	8XM pime kate
18	350655	kaablitugi
19	8M9419	8XM lukustusrõngas
20	8M9400	8XM korpus konnektorile
21	305310	Kruvi M4x6
22	305298	Euro konnektor spring pin
23	305309	Spring pin komplekt
24	305316	Kõri positsioneerimismutter
25	8M9420	8XM adapter mutter
26	8M9500	Kaabli leevendi



TRANSLAS MIG 8XM TYPE 36



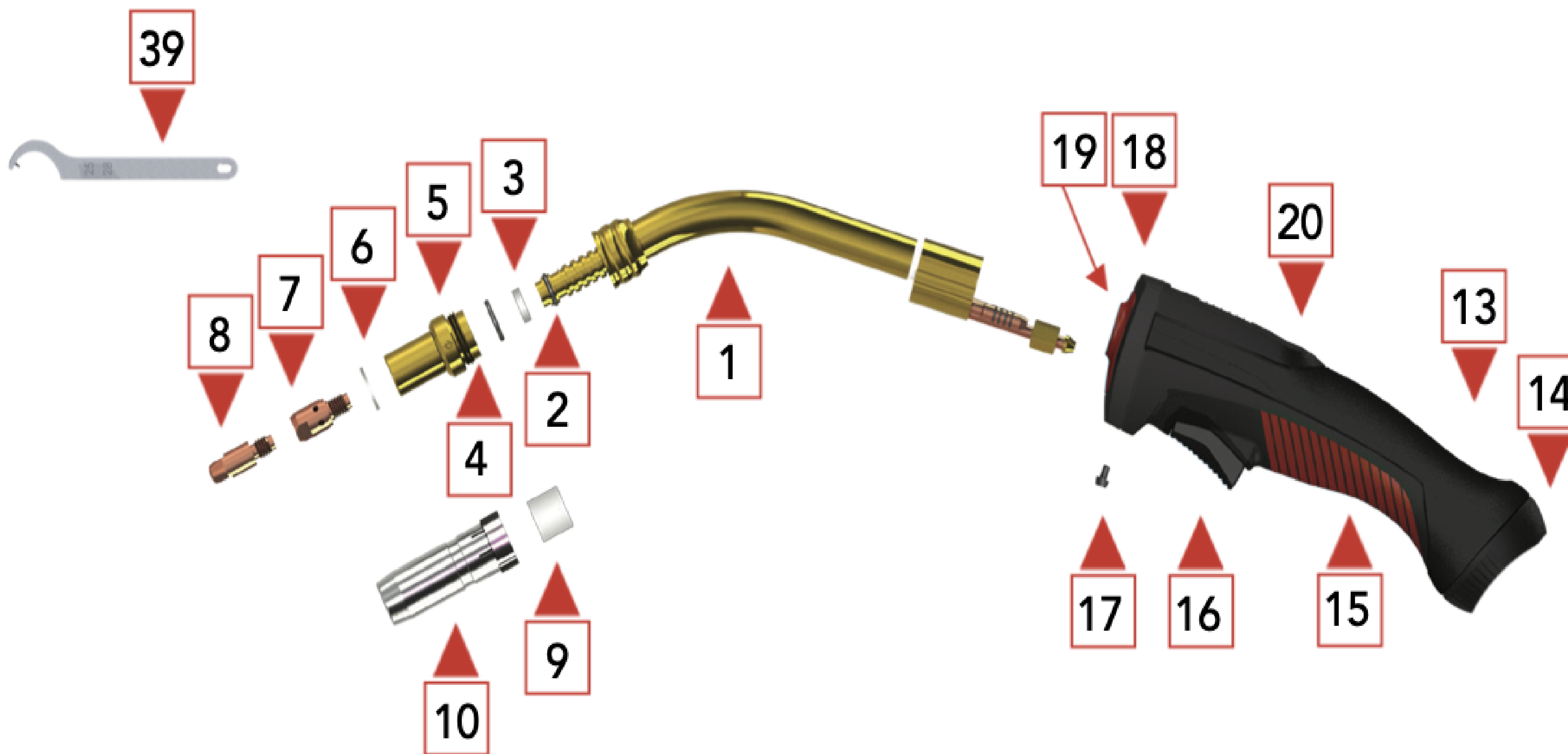
Nr	Kood	Nimi
1	300636	Põletipea
2	150302	Vooludüüsi hoidja M6
	150304	Vooludüüsi hoidja M8
3	300530	Hajuti valge
	300540	Hajuti must
4	100202	Vooludüüs M6-06-0,8mm
	100206	Vooludüüs M6-06-1,0mm
	100208	Vooludüüs M6-06-1,2mm
	100300	Vooludüüs M8-10-0,8
	100302	Vooludüüs M8-10-1,0
	100304	Vooludüüs M8-10-1,2
	100306	Vooludüüs M8-10-1,4
	100308	Vooludüüs M8-10-1,6
5	200600	Gaasidüüs silindriline diam 20,1
	200610	Gaasidüüs kooniline diam 16
	200620	Gaasidüüs kooniline diam 14
6		Kaablipakett 50mm ² 3m
		Kaablipakett 50mm ² 4m
		Kaablipakett 50mm ² 5m
7	303635	Traadikõri kollane(ø 2,5/4,5mm flat) 3m
	303645	Traadikõri kollane(ø 2,5/4,5mm flat) 4m
	303655	Traadikõri kollane(ø 2,5/4,5mm flat) 5m
	302535	Traadikõri punane (ø 2,0/4,5mm round) 3m
	302545	Traadikõri punane (ø 2,0/4,5mm round) 4m
	302555	Traadikõri punane (ø 2,0/4,5mm round) 5m
	301535	Traadikõri sinine (ø 1,5/4,5mm round) 3m
	301545	Traadikõri sinine (ø 1,5/4,5mm round) 4m
	301555	Traadikõri sinine (ø 1,5/4,5mm round) 5m
8	305401	Lukustusmutter M10x1x5mm
9	305500	Plastirõngas
10	8M9900	8XM käepide komplektne
11	8M9300	8XM lukustusmutter
12	8M9150	8XM Kaitseplastik
13	8M9350	8XM päästik
	361192	8XM päästiku vedru
	8M3999	8XM mikrolüliti
14	501151	Kruvi
15	8M9200	8XM lukustuskate
16	8M9250	8XM põletipea adapter
17	8M9100	8XM pime kate
18	350655	kaablitugi
19	8M9419	8XM lukustusrõngas
20	8M9400	8XM korpus konnektorile
21	305310	Kruvi M4x6
22	305298	Euro konnektor spring pin
23	305309	Spring pin komplekt
24	305316	Kõri positsioneerimismutter
25	8M9420	8XM adapter mutter
26	8M9500	Kaabli leevendi



TRANSLAS MIG 8XM TYPE 450



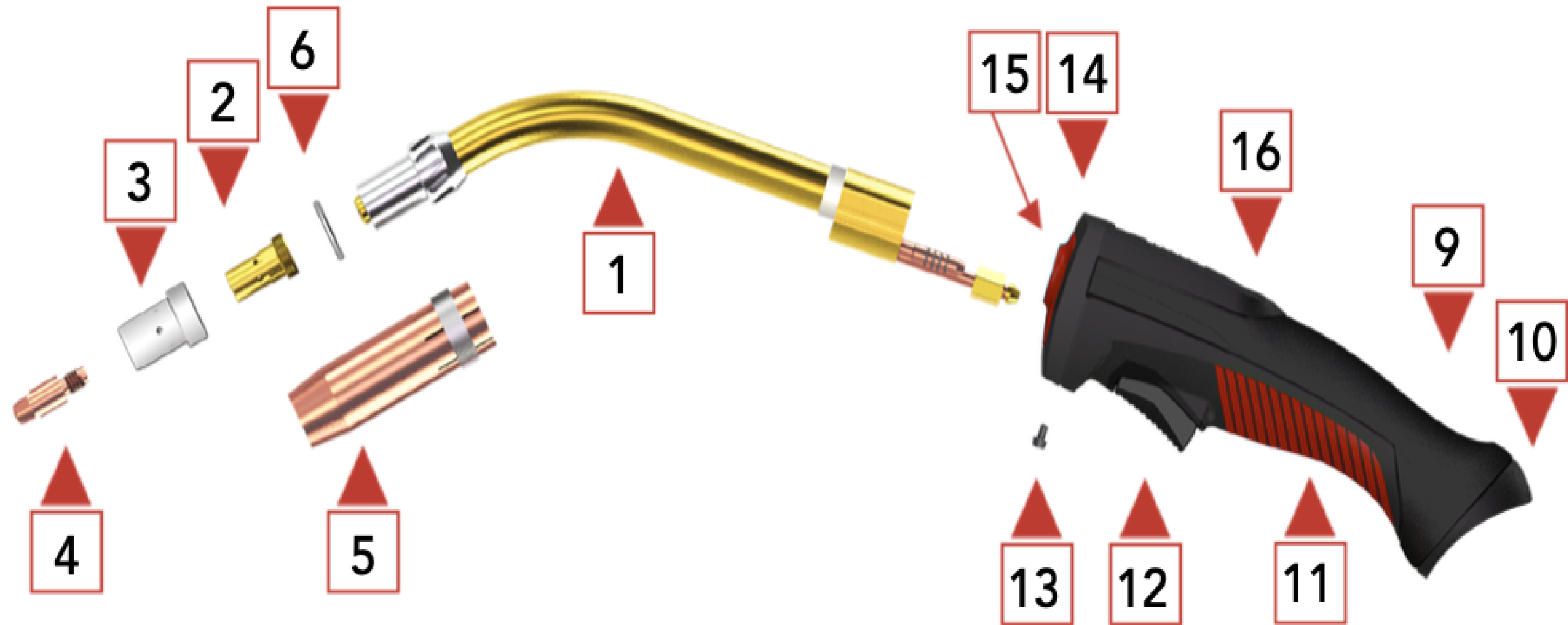
Nr	Kood	Nimi
1	3007145	Põletipea
2	305682	O-rõngas
3	3007139	Lukusturõngas
4	305674	O-rõngas
5	3007145001	Düüsihoidja
6	3056945	isoleerseib
7	153458	Vooludüüsi hoidja M8
8	100300	Vooludüüs M8-10-0,8
	100302	Vooludüüs M8-10-1,0
	100304	Vooludüüs M8-10-1,2
	100306	Vooludüüs M8-10-1,4
	100308	Vooludüüs M8-10-1,6
9	20071459	Düüsi isolaator
10	2007145	Gaasidüüs kooniline 14,5
11	258413	Kaablipakett 3mtr
	258414	Kaablipakett 4mtr
	258415	Kaablipakett 5mtr
12	304635	Traadikõri katteta(ø 2,0/4,5mm round) 3mtr
	304645	Traadikõri katteta(ø 2,0/4,5mm round) 4mtr
	304655	Traadikõri katteta(ø 2,0/4,5mm round) 5mtr
	304669	Traadikõri katteta(ø 2,5/4,5mm round) 3mtr
	304670	Traadikõri katteta(ø 2,5/4,5mm round) 4mtr
	304671	Traadikõri katteta(ø 2,5/4,5mm round) 5mtr
13	8M9900	8XM käepide komplektne 16mm
14	8M9300	8XM lukustusmutter
15	8M9150	8XM kaitseplastik
16	8M9350	8XM päästik
	361192	8XM päästiku vedru
	8M3999	8XM mikrolüliti
17	501151	Kruvi
18	8M9200	8XM lukuskate
19	8M9250	8XM põletipea adapter 16mm
20	8M9100	8XM pime kate
21	350665	kaablitugi ball-and-socket-joint
22	306505	Lüliti kaabel
23	258513	Vesi-vool kaabel 3m
	258514	Vesi-vool kaabel 4m
	258515	Vesi-vool kaabel 5m
24	258523	väliskõri 3m
	258524	väliskõri 4m
	258525	väliskõri 5m
25	258535	Vee pealevooksu voolik sinine jm
	258566	Vee väljajooksu voolik punane jm
26	258620	gaasivoolik must 5x8 jm
27	259200	katt erüüj jm
28	8M9419	8XM lukustusrõngas
29	8M9400	8XMkonnektori korpus
30	350880	veevooliku paigaldusdetail
	315101	toru veevoolikule
31	8M9501	Kaabli leevendi
32	305310	Kruvi M4x6
33	305304	Euro konnektor spring pin
34	305309	Spring pin komplekt
35	305316	Kõri kinnitusmutter
36	8M9420	8XM adapter mutter
37	258547	Voolikuklamber 8,7
	258543	Voolikuklamber 9,5
	258537	Voolikuklamber 10,0
39	290100	Võti düüsihoidjale



TRANSLAS MIG 8XM TYPE 510



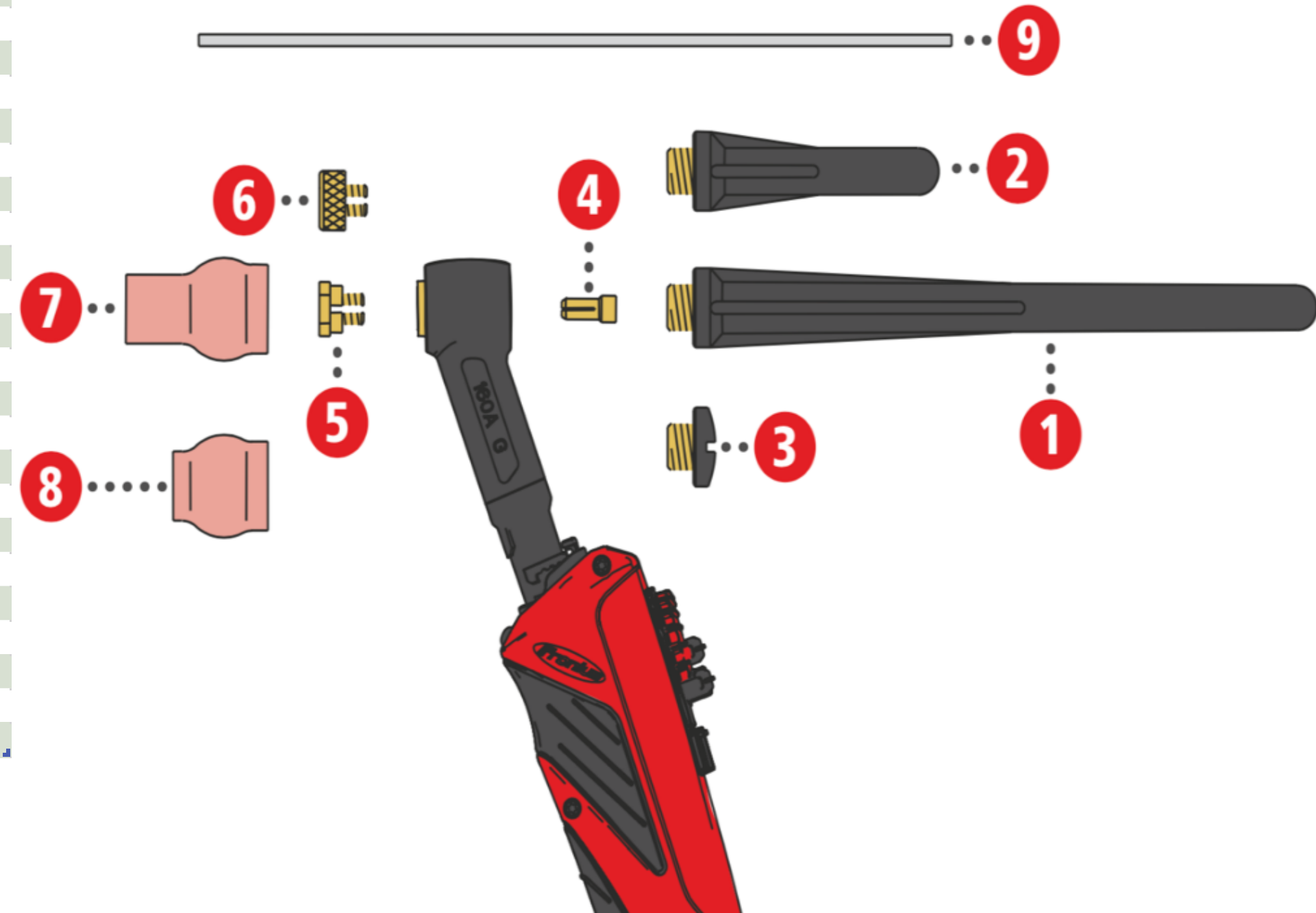
Nr	Kood	Nimi
1	300651	Põletipea
2	150404	Vooludüüsi hoidja M8
3	300560	Hajuti valge
3	300570	Hajuti must
4	100300	Vooludüüs M8-10-0,8
4	100302	Vooludüüs M8-10-1,0
4	100304	Vooludüüs M8-10-1,2
4	100306	Vooludüüs M8-10-1,4
4	100308	Vooludüüs M8-10-1,6
5	200820	Gaasidüüs Heavy Duty
5	200800	Gaasidüüs silindriline 20,1
5	200810	Gaasidüüs kooniline 16
5	200830	Gaasidüüs kooniline 14
6	305640	Isolaator
7	258413	Kaablipakett 3mtr
7	258414	Kaablipakett 4mtr
7	258415	Kaablipakett 4mtr
8	304635	Traadikõri katteta(ø 2,0/4,5mm round) 3mtr
8	304645	Traadikõri katteta(ø 2,0/4,5mm round) 4mtr
8	304655	Traadikõri katteta(ø 2,0/4,5mm round) 5mtr
8	304669	Traadikõri katteta(ø 2,5/4,5mm round) 3mtr
8	304670	Traadikõri katteta(ø 2,5/4,5mm round) 4mtr
8	304671	Traadikõri katteta(ø 2,5/4,5mm round) 5mtr
9	8M9930	8XM käepide komplektne 18mm
10	8M9300	8XM lukustusmutter
11	8M9150	8XM kaitseplastik
12	8M9350	8XM päästik
12	361192	8XM päästiku vedru
12	8M3999	8XM mikrolüliti
13	501151	Kruvi
14	8M9200	8XM lukustuskate
15	8M9255	8XM põletipea adapter 18mm
16	8M9100	8XM pime kate
17	350665	kaablitugi ball-and-socket-joint
18	306505	Lüliti kaabel
19	258513	Vesi-vool kaabel 3m
19	258514	Vesi-vool kaabel 4m
19	258515	Vesi-vool kaabel 5m
20	258523	väliskõri 3m
20	258524	väliskõri 4m
20	258525	väliskõri 5m
21	258535	Vee pealevooksu voolik sinine jm
21	258566	Vee väljajooksu voolik punane jm
22	258620	gaasivoolik must 5x8 jm
23	259200	katerüüž jm
24	8M9419	8XM lukustusrõngas
25	8M9400	8XMkonnektori korpus
26	350880	veevooliku paigaldusdetail
26	315101	toru veevoolikule
27	8M9501	Kaabli leevendi
28	305310	Kruvi M4x6
29	305304	Euro konnektor spring pin
30	305309	Spring pin komplekt
31	305316	Kõri kinnitusmutter
32	8M9420	8XM adapter mutter
33	258547	Voolikuklamber 8,7
33	258543	Voolikuklamber 9,5
33	258537	Voolikuklamber 10,0
34	258541	Veevooliku kiirühendusnippel
35	258701	Veelukusti punane
36	258702	Veelukusti sinine



FRONIUS TTB 160A G / TTB 300A W



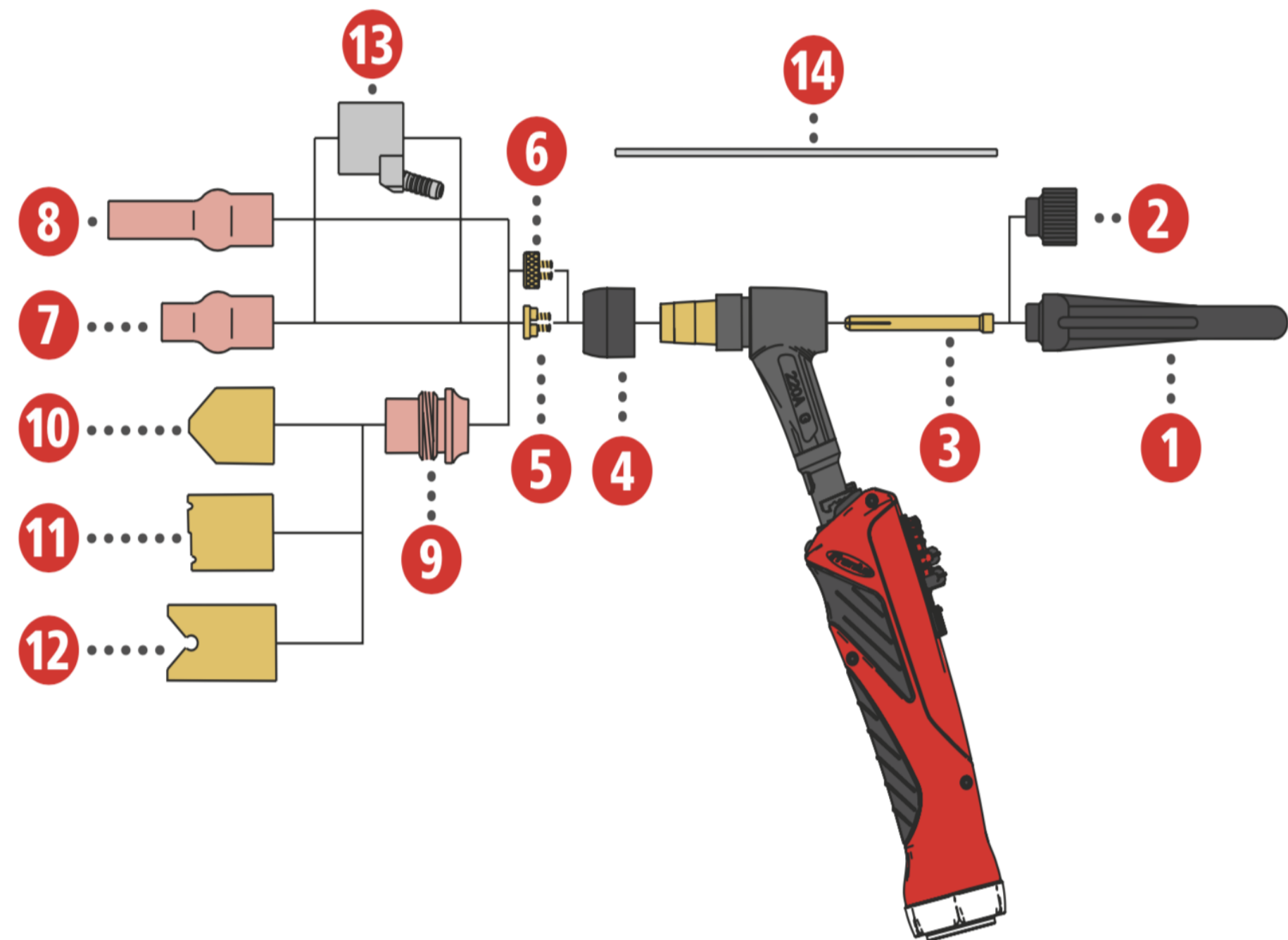
Nr	Spets kood	Kood	Nimi
1	FR4403500336	44,0350,0336	Elektroodi kate pikk TTG1500/1600/TTW3000A
2	FR4403500337	44,0350,0337	Elektroodi kate keskmine TTB160A/TTB300A
3	FR4403500338	44,0350,0338	Elektroodi kate lühike TTG1500/1600/TTW3000A
4	FR4200011148	42,0001,1148	Tsang 1,0 A TTB160/300A
4	FR4200011149	42,0001,1149	Tsang 1,6 A TTB160/300A
4	FR4200011150	42,0001,1150*	Tsang 2,4 A TTB160/300A
4	FR4200011151	42,0001,1151	Tsang 3,2 A TTB160/300A
5	FR4200010692	42,0001,0692	Tsangi hoidja A 1,0 TTB160A/220A/400A
5	FR4200010693	42,0001,0693	Tsangi hoidja A 1,6 TTB160A/220A/400A
5	FR4200010694	42,0001,0694	Tsangi hoidja A 2,4 TTB160A/220A/400A
5	FR4200010695	42,0001,0695	Tsangi hoidja A 3,2 TTB160A/220A/400A
6	FR4403501500	44,0350,1500	Gaasihajuti TTB160A/220A/400A 1,0mm
6	FR4403501501	44,0350,1501	Gaasihajuti TTB160A/220A/400A 1,6mm
6	FR4403501460	44,0350,1460	Gaasihajuti TTB160A/220A/400A 2,4mm
6	FR4403501461	44,0350,1461	Gaasihajuti TTB160A/220A/400A ø3,2mm
7	FR4203000820	42,0300,0820	Keraamik 6,4 A TTB160A/TTB300A L=33 nr4
7	FR4203000821	42,0300,0821	Keraamik 8,0 A TTB160A/TTB300A L=33 nr5
7	FR4203000822	42,0300,0822	Keraamik 9,5 A TTB160A/TTB300A L=33 nr6
7	FR4203000823	42,0300,0823	Keraamik 11,1 A TTB160A/TTB300A L=33 nr7
8	FR4203000816	42,0300,0816	Keraamik 6,4 A TTB160A/TTB300A L=22 nr4
8	FR4203000817	42,0300,0817	Keraamik 8,0 A TTB160A/TTB300A L=22 nr5
8	FR4203000818	42,0300,0818	Keraamik 9,5 A TTB160A/TTB300A L=22 nr6
8	FR4203000819	42,0300,0819	Keraamik 11,1 A TTB160A/TTB300A L=22 nr7



FRONIUS TTB 220A G / TTB 400A W



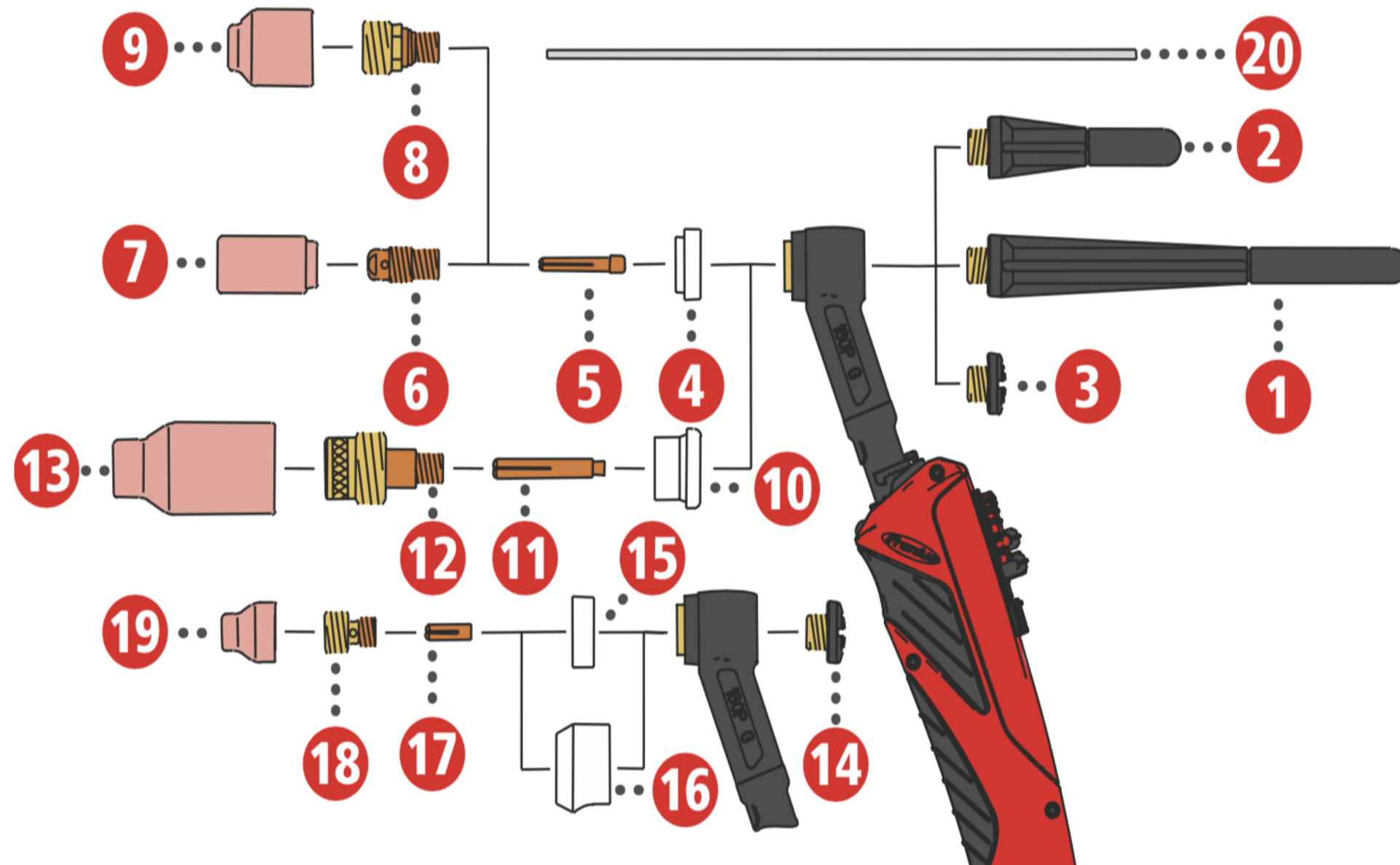
Nr	Spets kood	Kood	Nimi
1	FR4403500170	44,0350,0170	Elektroodi kate pikk TTB220/400A
2	FR4403500171	44,0350,0171	Elektroodi kate lühike TTB220/400A
3	FR4200010697	42,0001,0697	Tsang 1,0 TTB220/400A
3	FR4200010698	42,0001,0698	Tsang 1,6 TTB220/400A
3	FR4200010699	42,0001,0699*	Tsang 2,4 TTB220/400A
3	FR4200010700	42,0001,0700	Tsang 3,2 TTB220/400A
3	FR4200010701	42,0001,0701	Tsang 4,0 TTB220/400A
4	FR4204020222	42,0402,0222	Kinnituskrae ø16,5/ø22x20
5	FR4200010692	42,0001,0692	Tsangi hoidja A 1,0 TTB160A/220A/400A
5	FR4200010693	42,0001,0693	Tsangi hoidja A 1,6 TTB160A/220A/400A
5	FR4200010694	42,0001,0694*	Tsangi hoidja A 2,4 TTB160A/220A/400A
5	FR4200010695	42,0001,0695	Tsangi hoidja A 3,2 TTB160A/220A/400A
5	FR4200010696	42,0001,0696	Tsangi hoidja A 4,0 TTB160A/220A/400A
6	FR4403501500	44,0350,1500	Gaasihajuti TTB160A/220A/400A 1,0mm
6	FR4403501501	44,0350,1501	Gaasihajuti TTB160A/220A/400A 1,6mm
6	FR4403501460	44,0350,1460	Gaasihajuti TTB160A/220A/400A 2,4mm
6	FR4403501461	44,0350,1461	Gaasihajuti TTB160A/220A/400A ø3,2mm
7	FR4203000672	42,0300,0672	Keraamik A TTB220/400A 6,5 L=44 nr4
7	FR4203000461	42,0300,0461	Keraamik A TTB220/400A 8,0 L=44 nr5
7	FR4203000462	42,0300,0462	Keraamik A TTB220/400A 9,5 L=44 nr6
7	FR4203000463	42,0300,0463	Keraamik A TTB220/400A 11,0 L=44 nr7
7	FR4203000464	42,0300,0464	Keraamik A TTB220/400A 13,0 L=44 nr8
7	FR4203000465	42,0300,0465	Keraamik A TTB220/400A 14,0 L=44 nr9
7	FR4203000467	42,0300,0467	Keraamik A TTB220/400A 18,0 L=44 nr11
8	FR4203001120	42,0300,1120	Keraamik A TTB220A/TTB400A 6,4mm L=63 nr4
8	FR4203001121	42,0300,1121	Keraamik A TTB220A/TTB400A 8,0 L=63 nr5
8	FR4203001122	42,0300,1122	Keraamik A TTB220A/TTB400A 9,5 L=63 nr6
8	FR4203001123	42,0300,1123	Keraamik A TTB220A/TTB400A 11,1 L=63 nr7
9	FR4201000176	42,0100,0176	Isoleerhülss punktkeevitusdüüsile TTB160P/TTB300P
10	FR4200011409	42,0001,1409	Gaasidüüs punkt. sisnurk ø22/25,5x33 TTB220/TTB400A
11	FR4200011410	42,0001,1410	Gaasidüüs punktimiseks sile ø22/25,5x33 TTB220/TTB400A
12	FR4200011408	42,0001,1408	Gaasidüüs punktim. välisnurk ø22/25,5x42 TTB220/TTB400A



FRONIUS TTB 160P G / TTB 300P W



Nr	Kood	Nimi
1	44,0350,1495	Kinnituskate pikk
2	44,0350,1496	Kinnituskate keskmise
3	44,0350,1761	Kinnituskate lühike
4	42,0100,0391	Kuumakate $\varnothing 20 / \varnothing 10, 1 \times 7$
5	42,0001,3000	Tsang 1,0/ $\varnothing 4, 5 \times 25$
	42,0001,2571	Tsang 1,6/ $\varnothing 4, 5 \times 25$
	42,0001,2572*	Tsang 2,4/ $\varnothing 4, 5 \times 25$
	42,0001,2573	Tsang 3,2/ $\varnothing 4, 5 \times 25$
6	42,0001,2827	Tsangihoidja 1,0/ $\varnothing 9, 5 \times 20, 6$
	42,0001,0260	Tsangihoidja 1,6/ $\varnothing 9, 5 \times 20, 7$
	42,0001,0261*	Tsangihoidja 2,4/ $\varnothing 9, 5 \times 20, 8$
	42,0001,0262	Tsangihoidja 3,2/ $\varnothing 9, 5 \times 20, 9$
7	42,0300,0105	Keraamiline gaasidüüs $\varnothing 6, 3 / \varnothing 14, 2 \times 29, 5$ keermega
	42,0300,0106	Keraamiline gaasidüüs $\varnothing 8, 0 / \varnothing 14, 2 \times 29, 5$ keermega
	42,0300,0107	Keraamiline gaasidüüs $\varnothing 9, 5 / \varnothing 14, 2 \times 29, 5$ keermega
	42,0300,0108	Keraamiline gaasidüüs $\varnothing 11, 2 / \varnothing 16, 2 \times 29, 5$ keermega
	42,0300,0109	Keraamiline gaasidüüs $\varnothing 12, 7 / \varnothing 17, 6 \times 29, 5$ keermega
	42,0300,0110	Keraamiline gaasidüüs $\varnothing 16 / \varnothing 21, 2 \times 30$ keermega



Nr	Kood	Standard gaasihajuti
4	42,0100,0391	Kuumakate $\varnothing 20 / \varnothing 10, 1 \times 7$
5	42,0001,3000	Tsang 1,0/ $\varnothing 4, 5 \times 25$
	42,0001,2571	Tsang 1,6/ $\varnothing 4, 5 \times 25$
	42,0001,2572*	Tsang 2,4/ $\varnothing 4, 5 \times 25$
	42,0001,2573	Tsang 3,2/ $\varnothing 4, 5 \times 25$
8	42,0001,1343	Gaasihajuti 1,0/ $\varnothing 14 \times 22, 5$
	42,0001,1344	Gaasihajuti 1,6/ $\varnothing 14 \times 22, 5$
	42,0001,1345	Gaasihajuti 2,4/ $\varnothing 14 \times 22, 5$
	42,0001,1346	Gaasihajuti 3,2/ $\varnothing 14 \times 22, 5$
9	42,0300,0982	Keraamiline gaasidüüs $\varnothing 6, 3 / \varnothing 20 \times 25, 5$ keermega
	42,0300,0983	Keraamiline gaasidüüs $\varnothing 8 / \varnothing 20 \times 25, 5$ keermega
	42,0300,0984	Keraamiline gaasidüüs $\varnothing 9, 5 / \varnothing 20 \times 25, 5$ keermega
	42,0300,2007	Keraamiline gaasidüüs $\varnothing 11, 2 / \varnothing 20 \times 25, 5$ keermega
	42,0300,2008	Keraamiline gaasidüüs $\varnothing 12, 5 / \varnothing 19 \times 25, 5$ keermega

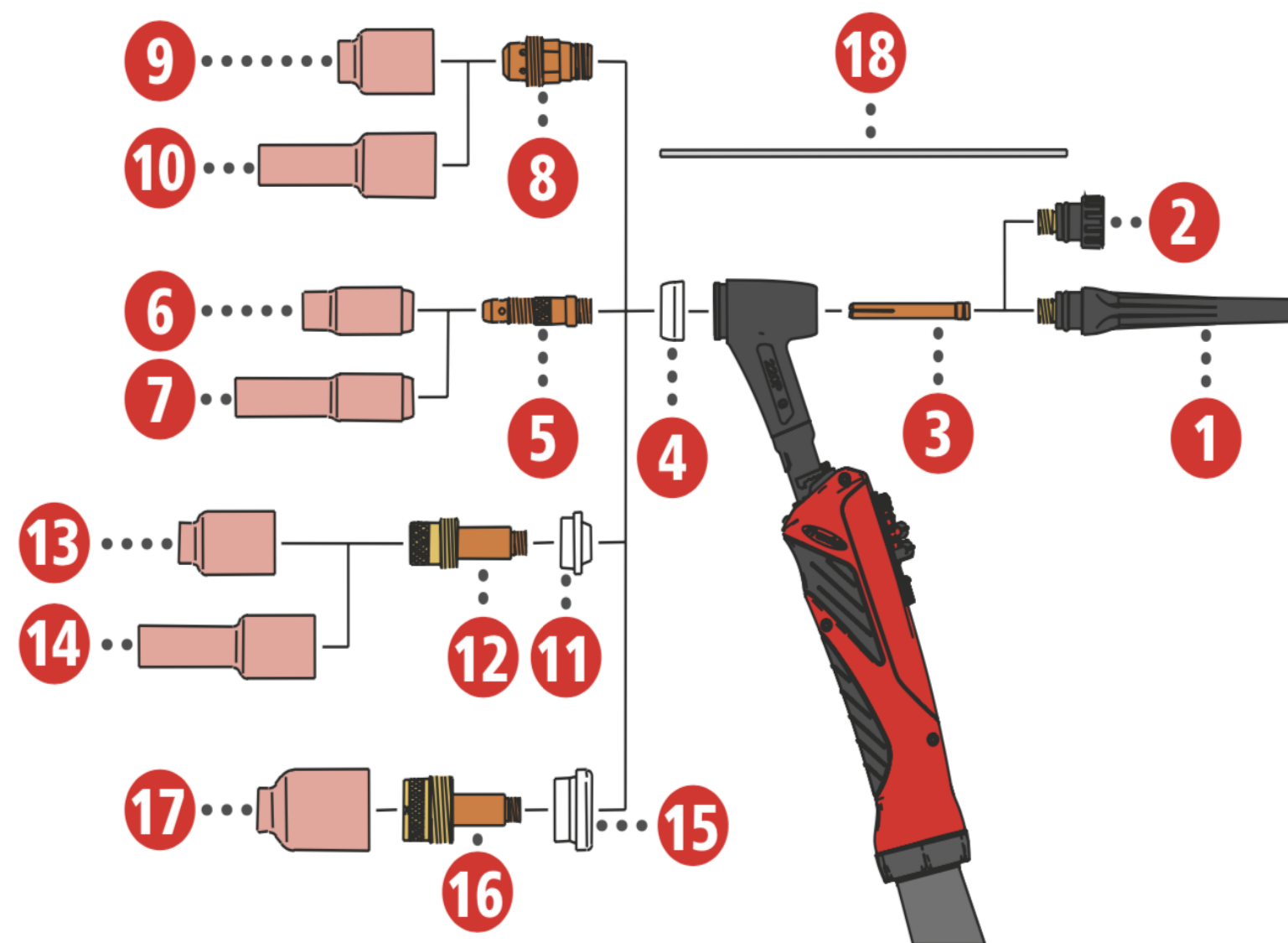
Nr	Kood	Suur gaasihajuti
10	42,0100,0407	Kuumakate $\varnothing 30 / \varnothing 12, 8 \times 14$
11	42,0001,2826	Tsang 1,0/ $\varnothing 5, 3 \times 40, 2$
	42,0001,3001	Tsang 1,6/ $\varnothing 5, 3 \times 40, 2$
	42,0001,3008	Tsang 2,4/ $\varnothing 5, 3 \times 40, 2$
	42,0001,3009	Tsang 3,2/ $\varnothing 5, 3 \times 40, 2$
12	42,0001,3010	Gaasihajuti 1,0/ $\varnothing 25, 4 \times 41$
	42,0001,3011	Gaasihajuti 1,6/ $\varnothing 25, 4 \times 41$
	42,0001,3012	Gaasihajuti 2,4/ $\varnothing 25, 4 \times 41$
	42,0001,3013	Gaasihajuti 3,2/ $\varnothing 25, 4 \times 41$
13	42,0300,2247	Keraamiline gaasidüüs $\varnothing 9, 5 / \varnothing 30, 5 \times 48$ keermega
	42,0300,2248	Keraamiline gaasidüüs $\varnothing 12, 5 / \varnothing 30, 5 \times 48$ keermega
	42,0300,2249	Keraamiline gaasidüüs $\varnothing 16 / \varnothing 30, 5 \times 48$ keermega
	42,0300,2250	Keraamiline gaasidüüs $\varnothing 19 / \varnothing 30, 5 \times 48$ keermega

Nr	Kood	Väike gaasihajuti
14	44,0350,1497	Kinnituskate lühike
15	42,0100,0387	Kuumakate $\varnothing 12 / \varnothing 20 \times 6$
16	42,0100,0388	Kuumakate $\varnothing 10, 1 / \varnothing 23 \times 16$
17	42,0001,3002	Tsang 1,0/ $\varnothing 3, 2 \times 14$
	42,0001,3003	Tsang 1,6/ $\varnothing 3, 2 \times 14$
	42,0001,3004	Tsang 2,4/ $\varnothing 4 \times 13, 5$
18	42,0001,1489	Gaasihajuti 1,0/ $\varnothing 11, 5 \times 15$
	42,0001,1490	Gaasihajuti 1,6/ $\varnothing 11, 5 \times 15$
	42,0001,1491	Gaasihajuti 2,4/ $\varnothing 11, 5 \times 15$
19	42,0300,2244	Keraamiline gaasidüüs $\varnothing 6, 5 / \varnothing 16 \times 16$ keermega
	42,0300,2245	Keraamiline gaasidüüs $\varnothing 8, 0 / \varnothing 16 \times 16$ keermega
	42,0300,2246	Keraamiline gaasidüüs $\varnothing 9, 5 / \varnothing 16 \times 16$ keermega

FRONIUS TTB 220P G / TTB 400P W



Nr	Kood	Nimi
1	44,0350,1597	Kinnituskate pikk
2	44,0350,1596	Kinnituskate lühike
3	42,0001,0284	Tsang 1,0/ø6,35x51,5
	42,0001,0285	Tsang 1,6/ø6,35x51,5
	42,0001,0286*	Tsang 2,4/ø6,35x51,5
	42,0001,0287	Tsang 3,2/ø6,35x51,5
	42,0001,2577	Tsang 4,0/ø6,35x51,5
4	42,0100,0408	Kuumakaitse standard ø22/ø15x10
5	42,0001,3032	Tsangihoidja 1,0/ø11,1x46,8
	42,0001,3033	Tsangihoidja 1,6/ø11,1x46,8
	42,0001,3034*	Tsangihoidja 2,4/ø11,1x46,8
	42,0001,3035	Tsangihoidja 3,2/ø11,1x46,8
	42,0001,3036	Tsangihoidja 4,0/ø11,1x46,8
6	42,0300,2276	Keraamiline gaasidüüs ø6,5/ø18x47 keermega
	42,0300,2277	Keraamiline gaasidüüs ø8,0/ø18x47 keermega
	42,0300,2278	Keraamiline gaasidüüs ø9,5/ø18x47 keermega
	42,0300,2279	Keraamiline gaasidüüs ø11/ø18x47 keermega
	42,0300,2280	Keraamiline gaasidüüs ø12,5/ø18x47 keermega
	42,0300,2281	Keraamiline gaasidüüs ø16/ø18x47 keermega
	42,0300,2282	Keraamiline gaasidüüs ø19,5/ø18x47 keermega
7	42,0300,2283	Keraamiline gaasidüüs ø8,0/ø18x76 keermega
	42,0300,2284	Keraamiline gaasidüüs ø9,5/ø18x76 keermega
	42,0300,2285	Keraamiline gaasidüüs ø11,0/ø18x76 keermega



Nr	Kood	Tsangihoidja suur
8	42,0001,2862	Tsangihoidja 2,4/ø19x33
	42,0001,2863	Tsangihoidja 3,2/ø19x33
	42,0001,2864	Tsangihoidja 4,0/ø19x33
9	42,0300,2009	Keraamiline gaasidüüs ø6,5/ø24,5x42 keermega
	42,0300,2010	Keraamiline gaasidüüs ø8,0/ø24,5x42 keermega
	42,0300,2011	Keraamiline gaasidüüs ø9,5/ø24,5x42 keermega
	42,0300,2012	Keraamiline gaasidüüs ø11,0/ø24,5x42 keermega
	42,0300,2013	Keraamiline gaasidüüs ø12,5/ø24,5x42 keermega
	42,0300,2304	Keraamiline gaasidüüs ø19/ø24,5x42 keermega
10	42,0300,2273	Keraamiline gaasidüüs ø8,0/ø24x76 keermega
	42,0300,2826	Keraamiline gaasidüüs ø9,5/ø24x59 keermega
	42,0300,2274	Keraamiline gaasidüüs ø9,5/ø24x76 keermega
	42,0300,2275	Keraamiline gaasidüüs ø11,0/ø24x76 keermega

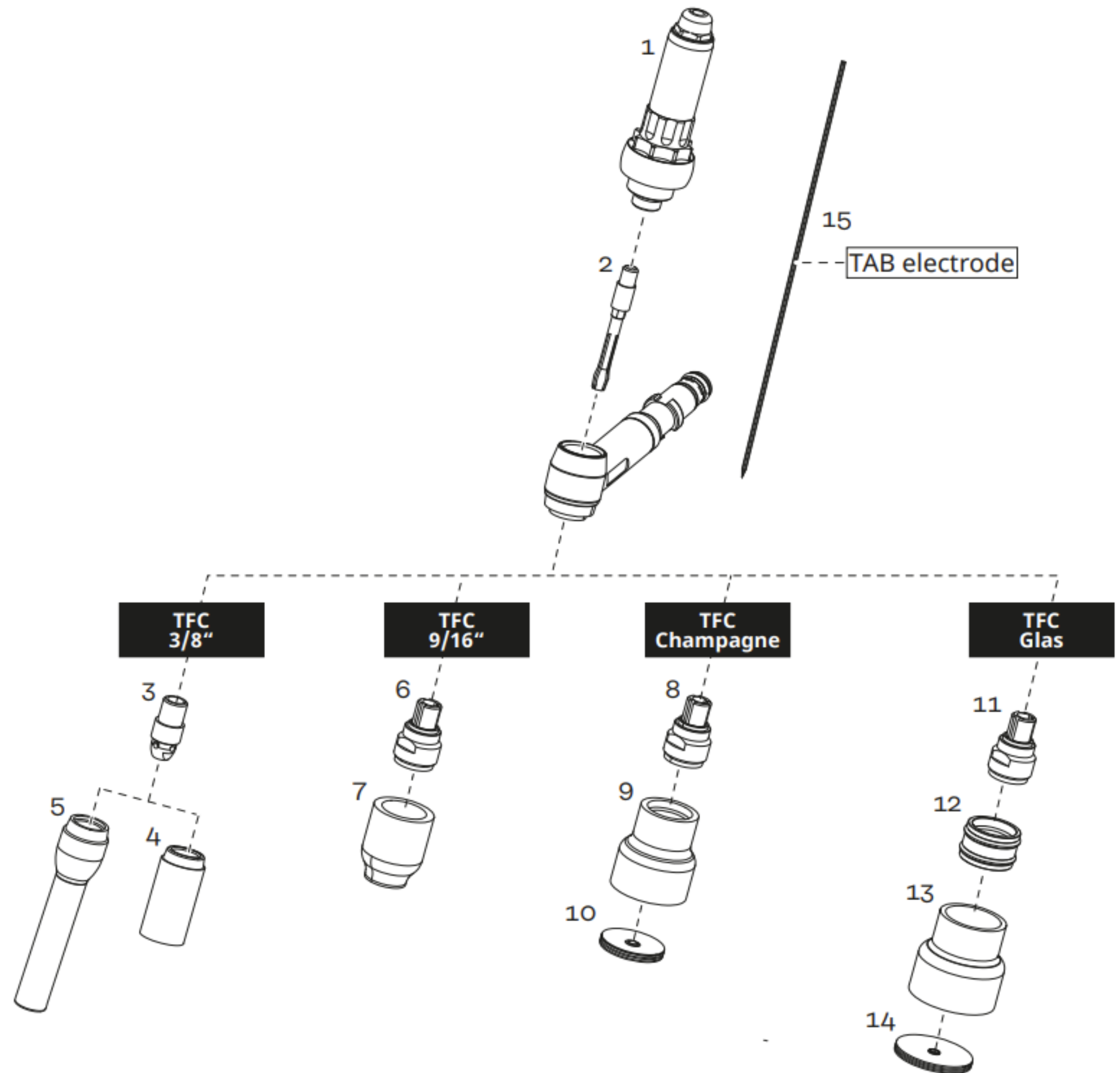
Nr	Kood	Standard gaasihajuti
11	42,0100,0401	Isoleerrõngas ø23/ø12,3x13,6
12	44,0350,1595	Gaasihajuti 1,0/ø19x50
	44,0350,1362	Gaasihajuti 1,6/ø19x50
	44,0350,1363	Gaasihajuti 2,4/ø19x50
	44,0350,1364	Gaasihajuti 3,2/ø19x50
	44,0350,1365	Gaasihajuti 4,0/ø19x50
13	42,0300,2009	Keraamiline gaasidüüs ø6,5/ø24,5x42 keermega
	42,0300,2010	Keraamiline gaasidüüs ø8,0/ø24,5x42 keermega
	42,0300,2011	Keraamiline gaasidüüs ø9,5/ø24,5x42 keermega
	42,0300,2012	Keraamiline gaasidüüs ø11,0/ø24,5x42 keermega
	42,0300,2013	Keraamiline gaasidüüs ø12,5/ø24,5x42 keermega
	42,0300,2304	Keraamiline gaasidüüs ø19,0/ø24,5x42 keermega
14	42,0300,2273	Keraamiline gaasidüüs ø8,0/ø24,5x76 keermega
	42,0300,2826	Keraamiline gaasidüüs ø9,5/ø24,5x59 keermega
	42,0300,2274	Keraamiline gaasidüüs ø9,5/ø24,5x76 keermega
	42,0300,2275	Keraamiline gaasidüüs ø11,0/ø24,5x76 keermega

Nr	Kood	Suur gaasihajuti
15	42,0100,0402	Isoleerrõngas ø30/ø12,3x15,8
16	42,0001,3027	Gaasihajuti 1,0/ø25,4x50
	42,0001,3028	Gaasihajuti 1,6/ø25,4x50
	42,0001,3029	Gaasihajuti 2,4/ø25,4x50
	42,0001,3030	Gaasihajuti 3,2/ø25,4x50
	42,0001,3031	Gaasihajuti 4,0/ø25,4x50
17	42,0300,2247	Keraamiline gaasidüüs ø9,5/ø30,5x48 keermega
	42,0300,2248	Keraamiline gaasidüüs ø12,5/ø30,5x48 keermega
	42,0300,2249	Keraamiline gaasidüüs ø16/ø30,5x48 keermega
	42,0300,2250	Keraamiline gaasidüüs ø19/ø30,5x48 keermega

FRONIUS TTB 160P / TTB 300P TFC



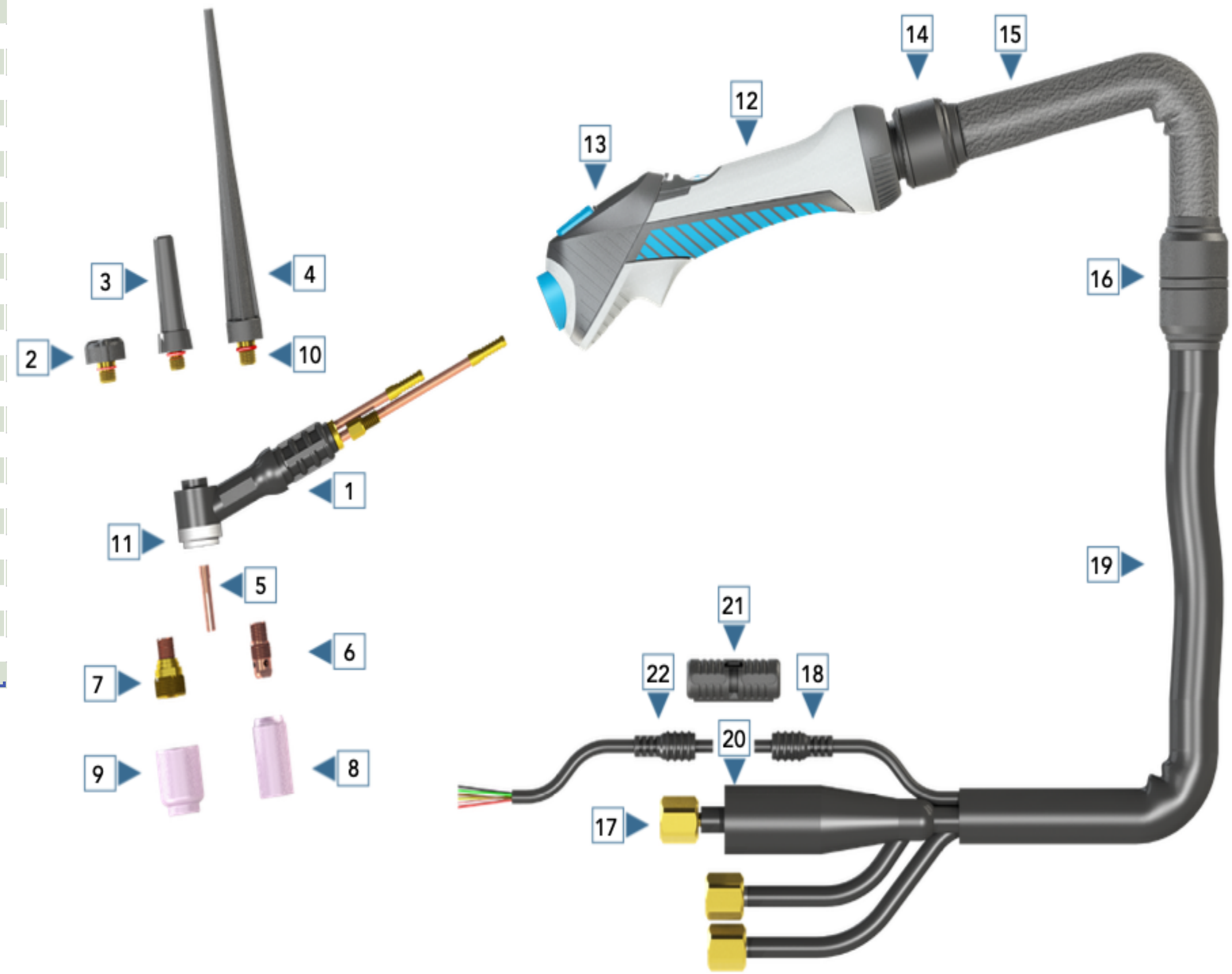
Nr	Spetskood	Kood	Nimi
1	FR4403501849	44,0350,1849	Clamping unit TTB160P/300 TFC
2	FR4200011257	42,0001,1257	Collet chuck $\varnothing 2.4/L=44/M5$ TFC // TTB160/300
3	FR4210000749	42,1000,0749	Collet chuck hous. $\varnothing 1,0-2,4$ TFC TTB160/300
4	FR4203000106	42,0300,0106	Keraamik 8,0 P TTB160P/TTB300P nr5
4	FR4203000107*	42,0300,0107	Keraamik 9,5 TTB160P/TTB300P nr6
4	FR4203000108	42,0300,0108	Keraamik 11,2 TTB160P/TTB300P nr7
4	FR4203000109	42,0300,0109	Keraamik 12,7 TTB160P/TTB300P nr8
4	FR4203000110	42,0300,0110	Keraamik 16,0 TTB160P/TTB300P nr10
5	FR4216000035	42,1600,0035	Keraamik narrow gap $\varnothing 4.0/\varnothing 14 \times 48$ TTB160P/TTB300P
5	FR4216000036	42,1600,0036	Keraamik narrow gap $\varnothing 6,5/\varnothing 14 \times 48$ TTB160P/TTB300P
5	FR4216000037	42,1600,0037	Keraamik narrow gap $\varnothing 8.0/\varnothing 14 \times 48$ TTB160P/TTB300P
5	FR4216000038	42,1600,0038	Keraamik narrow gap $\varnothing 9,5/\varnothing 14 \times 48$ TTB160P/TTB300P
5	FR4216000039	42,1600,0039	Keraamik narrow gap $\varnothing 4.0/\varnothing 14 \times 63$ TTB160P/TTB300P
5	FR4216000040	42,1600,0040	Keraamik narrow gap $\varnothing 6,5/\varnothing 14 \times 63$ TTB160P/TTB300P
5	FR4216000041	42,1600,0041	Keraamik narrow gap $\varnothing 8.0/\varnothing 14 \times 63$ TTB160P/TTB300P
5	FR4216000033	42,1600,0033	Keraamik narrow gap $\varnothing 6,5/\varnothing 14 \times 89$ TTB160P/TTB300P
6	FR4403501851	44,0350,1851	Gas lens small TTB160/300P TFC
7	FR4203000982	42,0300,0982	Keraamik gaasihajutile P 6,3 TTB160P/TTB300P nr4
7	FR4203000983	42,0300,0983	Keraamik gaasihajutile P 8,0 TTB160P/TTB300P nr5
7	FR4203000984	42,0300,0984	Keraamik gaasihajutile P 9,5 TTB160P/TTB300P nr6
7	FR4203002007	42,0300,2007	Keraamik gaasihajutile P 11,2 TTB160P/TTB300P nr7
7	FR4203002008	42,0300,2008	Keraamik gaasihajutile P 12,5 TTB160P/TTB300P nr8
8	FR4403501851	44,0350,1851	Gas lens small TTB160/300P TFC
9	FR4216000050	42,1600,0050	Keraamiline gaasidüüs Champagne
10	FR4403501477	44,0350,1477	Sõelakomplekt Champagne $\varnothing 1,6$
10	FR4403501391	44,0350,1391	Sõelakomplekt Champagne $\varnothing 2,4$
11	FR4403501851	44,0350,1851	Gas lens small TTB160/300P TFC
14	FR4403501505	44,0350,1505	Väline sõel complete $\varnothing 25.5/2.4$ Champagne



TRANSLAS TIG 8XT TYPE 20



Nr	Spets kood	Kood	Nimi
1	TRA520405	520405	Tig põleti pea DWT 20 F
2	TRA500342	500342	Elektroodi kate lühike 9/20
3	TRA500344	500344	Elektroodi kate keskmine 9/20
4	TRA500340	500340	Elektroodi kate pikk 9/20
5	TRA500654	500654	Tsang 1,6 TC9
5	TRA500658	500658	Tsang 2,4 9/20
5	TRA500660	500660	Tsang 3,2 TC9
6	TRA500754	500754	Tsangi hoidja 1,6 TC9
6	TRA500758	500758	Tsangi hoidja 2,4 TC9 (4200010261)
6	TRA500760	500760	Tsangi hoidja 3,2 TC9 (4200010262)
7	TRA500824	500824	Gaasihajuti 1,6 9/20 (4200011344)
7	TRA500828	500828	Gaasihajuti 2,4 45V44 TC 9/20
7	TRA500830	500830	Gaasihajuti 3,2 TC9/20
8	TRA500500	500500	Keraamik 9/20 diam 6,4 13N08 (4203000105) nr4
8	TRA500502	500502	Keraamik 9/20 diam 7,9 13N09 (4203000106) nr5
8	TRA500504	500504	Keraamik 9/20 diam 9,5 13N10 (4203000107) nr6
8	TRA500506	500506	Keraamik 9/20 diam 11,1 13N11 (4203000108) nr7
8	TRA500508	500508	Keraamik 9/20 diam 12,7 13N12 (4203000109) nr8
8	TRA500510	500510	Keraamik 9/20 diam 15,9 13N13 (4203000110) nr10
9	TRA500560	500560	Keraamik GL 9/20/24 diam 6,4 53N58 (4203000982) nr4
9	TRA500562	500562	Keraamik GL 9/20/24 diam 7,9 53N59 (4203000983) nr5
9	TRA500564	500564	Keraamik GL 9/20/24 diam 9,5 53N60 (4203000984) nr6
9	TRA500566	500566	Keraamik GL 9/20/24 diam 11,1 53N61 (4203002007) nr7
9	TRA500568	500568	Keraamik GL 9/20/24 diam 12,7 53N61S (4203002008) nr8
10	TRA500360	500360	O-rõngas
11	TRA500400	500400	Kuumakaitse 9/20 (4201000391)
17	TRAS40000400	S40000400	Power/Water cable 4mtr M12x1



TRANSLAS TIG 8XT TYPE 26



Nr	Spets kood	Kood	Nimi
1	TRA520605	520605	Tig põleti pea 26 Flex
3	TRA500346	500346	Elektroodi kate pikk TC17
4	TRA500347	500347	Elektroodi kate keskmine 17
5	TRA500348	500348	Elektroodi kate lühike 17
6	TRA500666	500666	Tsang 1,6 TC17
6	TRA500670	500670	Tsang 2,4 TC17
6	TRA500674	500674	Tsang 3,2 TC 17
7	TRA500766	500766	Tsangi hoidja 1,6 17/18 (4200013033)
7	TRA500770	500770	Tsangi hoidja 2,4 TC17/18 (4200013034)
7	TRA500774	500774	Tsangi hoidja 3,2 TC 17 (4200013035)
8	TRA500834	500834	Gaasihajuti 1,6 TC17 (4403501362)
8	TRA500836	500836	Gaasihajuti 2,4 17/26 (4403501363)
9	TRA500850	500850	Gaasihajuti suur 2,4 (4200013029)
9	TRA500852	500852	Gaasihajuti suur 3,2 TC17 (4200013030)
10	TRA500520	500520	Keraamik 17/18/26 diam 6,4 10N50 nr4
10	TRA500522	500522	Keraamik 17/18/26 diam 7,9 10N49 nr5
10	TRA500524	500524	Keraamik 17/18/26 diam 9,5 10N48 nr6
10	TRA500526	500526	Keraamik 17/18/26 diam 11,1 10N47 nr7
10	TRA500528	500528	Keraamik 17/18/26 diam 12,7 10N46 nr8
10	TRA500530	500530	Keraamik 17/18/26 diam 16,0 10N45 nr10
11	TRA500582	500582	Keraamik GL 17/18/26 diam 6,4 54N17
11	TRA500584	500584	Keraamik GL 17/18/26 diam 9,5 54N16
11	TRA500586	500586	Keraamik GL 17/18/26 diam 11.1 54N15
11	TRA500590	500590	Keraamik GL 17/18/26 diam 17,5 54N19
12	TRA500638	500638	Keraamik 57N75 suur (4203002247)
12	TRA500636	500636	Keraamik 57N74 suur (4203002248)
12	TRA500592	500592	Keraamik GL XL 17/18/26 diam 16,0 53N88 (4203002249)
12	TRA500594	500594	Keraamik GL XL 17/18/26 diam 19,0 53N87 (4203002250)
14	TRA500402	500402	Kuumakaitse 17/18/26
15	TRA500404	500404	Kuumakaitse suurele gaasihajutile (4201000401)
16	TRA500412	500412	Kuumakaitse suurele gaasihajutile 54N63 (4201000402)

